

Air driven ATEX series

**216A EX - NE22, S50, ATEX Ex II 2GD**

42221609

---

**Original manual**

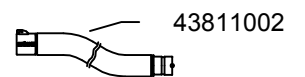
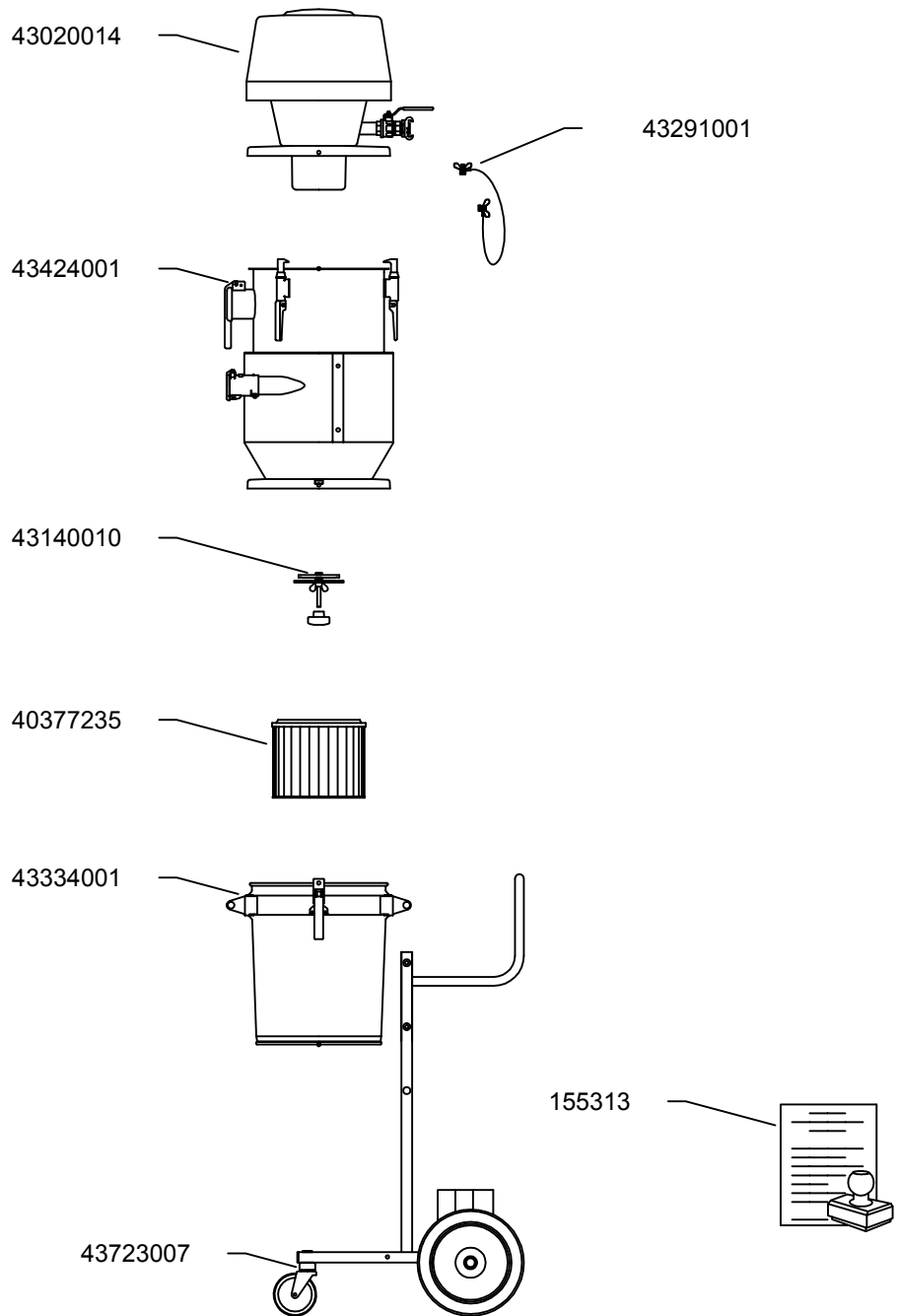
EN MODEL SPECIFICATION AND SPARE PARTS

## Model Specification

**Description:** 216A EX – NE22, S50, ATEX Ex II 2GD

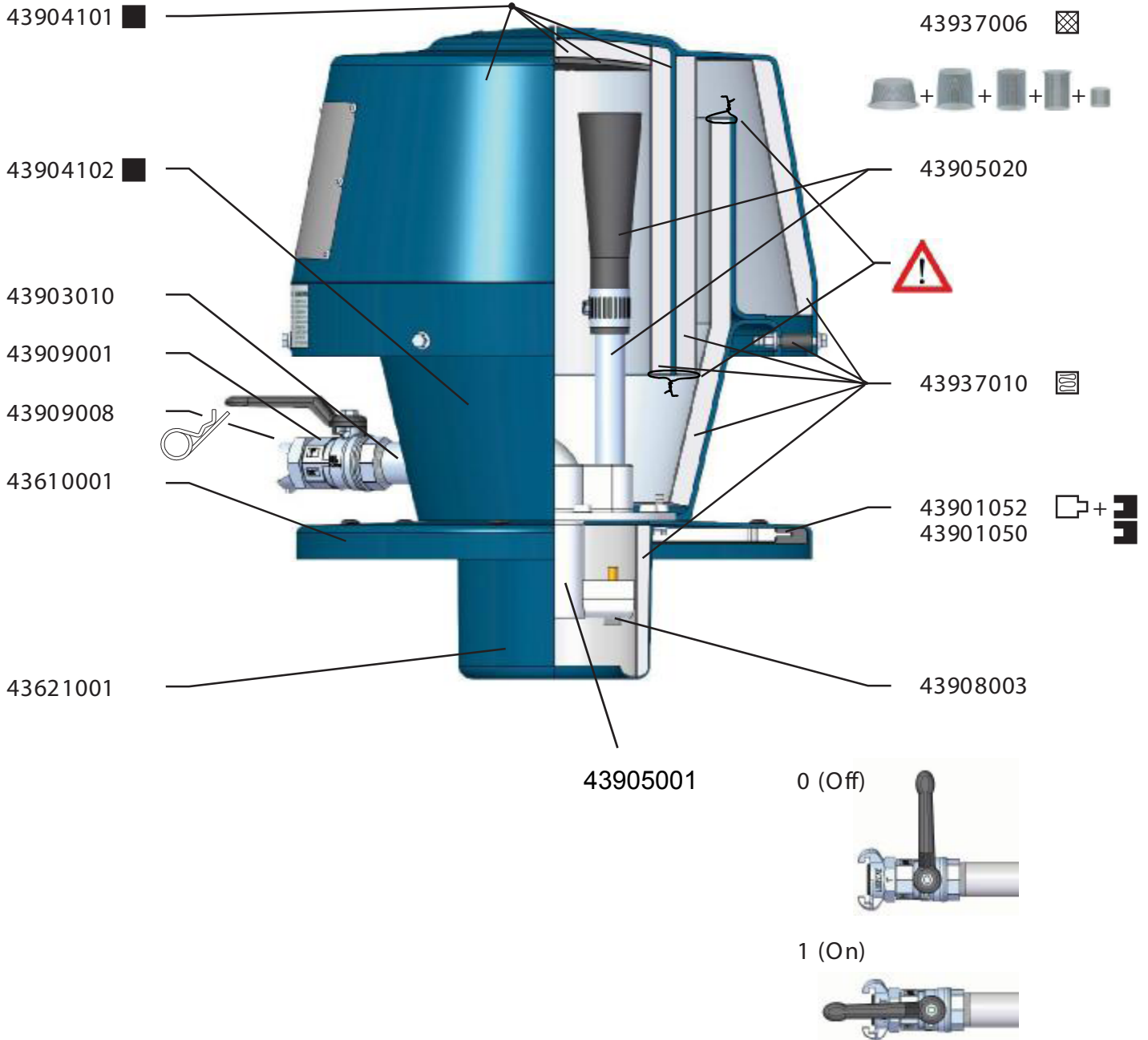
**Model:** 42221609

Code no.	Description	Qty.	Page
43020014	NE22, S50 antistatic	1	4
40377235	Absolute filter L=220 A=1.56m <sup>2</sup>	1	-
43291001	Earthingkit	1	-
43334001	Container S50 67l w/ecc fastners	1	6
43424001	Silo S50 w/rev air clean d51	1	7
43723007	Trolley S50 f/silo	1	8
43811002	Suction hose PE d38 L=10m	1	-
43140010	Clamp f/cartr.filter M10 L=90 El-Zn	1	-
155313	Test protocol	1	-



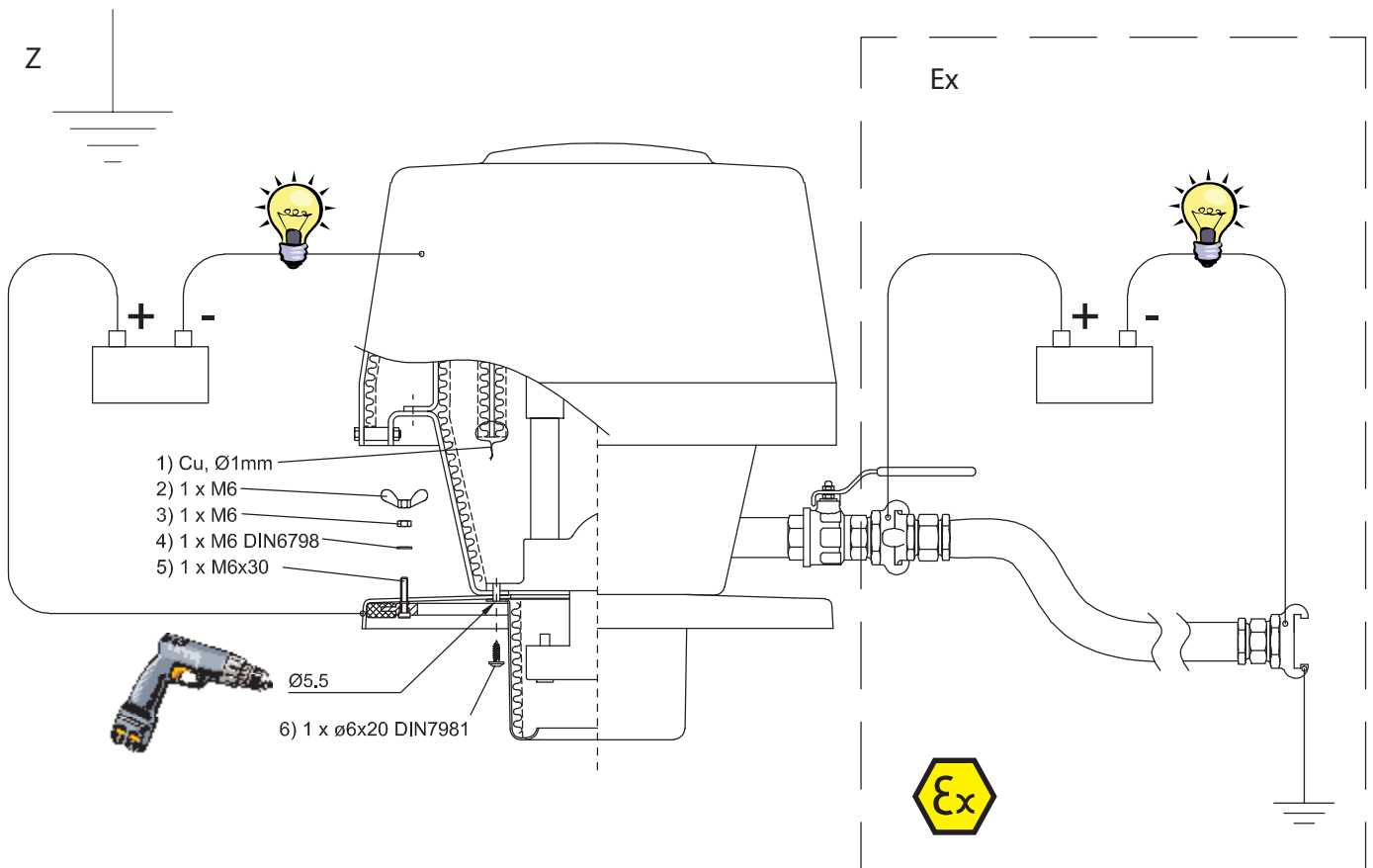


MAX 8 bar





MAX 8 bar



43020014



43999021

43999531

