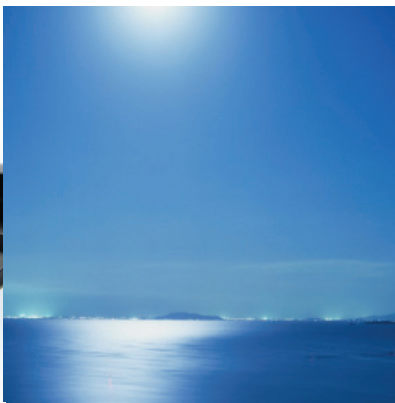


***Nederman***

**Extraction arms  
for every type of application**





# Improved workspaces within arm's reach

A workspace free from dust, hazardous particles, fumes and exhaust is good in many ways. It improves the working conditions, minimizes stress on health, improves productivity and reduces safety risks. It also means less damages and malfunctions on tools and equipment and safeguards the quality of finished products.

The Nederman range of extraction arms covers a wide variety of applications. All arms are highly flexible and simple to use. Together with fans and filters you get workplaces that are clean, safe and efficient.

## Heavy applications

---



### NEX HD

**The ultimate, heavy-duty arm for tough applications**

Heavy engineering works: welding, laser cutting, grinding with spatter.  
Max fume temp: +120°C  
Required airflow: 1000 – 1900 m<sup>3</sup>/h



### NEX MD

**A sturdy arm for medium to heavy applications**

Workshops, metal fabrication industries, grinding, baking, handling with powder.  
Max fume temp: +70°C  
Required airflow: 900 – 1300 m<sup>3</sup>/h

## Light applications

---



### Nederman Telescopic

**A handy solution for light applications in small work areas**

Extraction of fumes, vapours and dust at a limited space, small workshops, schools, training centres.  
Max fume temp: +70°C  
Required airflow: 600 – 1000 m<sup>3</sup>/h



### Nederman Standard

**The "extra" arm for non-frequent use in light applications**

Extraction of fumes, vapours and dust at a limited space, small workshops, schools, training centres. The arm is available as complete easy-to-assembly kit.  
Max fume temp: +70°C  
Required airflow: 600 – 900 m<sup>3</sup>/h

## Light and medium applications

---



### Nederman Original

**An all-round arm for medium applications**

Workshops, repair work, light metal fabrication shops.  
Max fume temp: +70°C  
Required airflow: 700 – 1000 m<sup>3</sup>/h

## Larger working areas

---



### Nederman Extension Arm

Gives the extraction arm an extra reach of 4.2 m or 6.0 m. Can be used in combination with extraction arm Original, NEX MD or NEX HD.

# NEX HD

## The ultimate, heavy duty arm for tough applications



*NEX HD has a patented ball joint hood suspension. This, in combination with the parallelogram construction, enables an easy and precise manoeuvrability of hood and arm.*

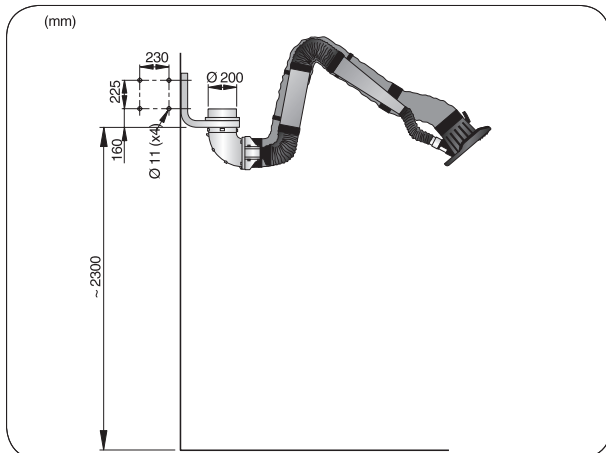
Nederman NEX HD with a Ø 200 mm hose is the ultimate arm for heavy duty welding, metal spraying and grinding. The aluminium hood resists high temperatures. Typical applications are workplaces in the metal fabrication industries where large airflows is needed.

- The arm can rotate 360°
- Perfectly balanced and simple to position
- External support mechanism for optimal suction efficiency
- Encapsulated arm support mechanism – protects the arm against dust and dirt
- Can be mounted on brackets, extension arms and exhaust rails
- Can be connected to a single fan or a central system
- Equipped with a damper in the hood – saves energy when not in operation
- Hood with integrated lamp and start/stop switch for fan (accessory)
- The design of the hood ensures very high capture capacity and a low noise level

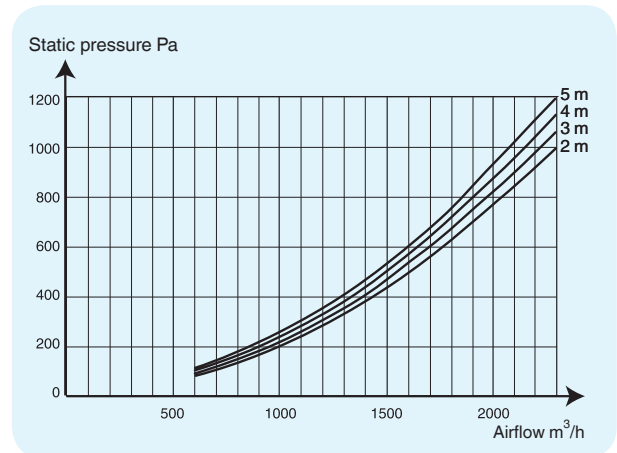
Arm lengths: \_\_\_\_\_ 2, 3, 4, 5 m  
 Ducting diameter: \_\_\_\_\_ Ø200 mm  
 Recommended airflow: \_\_\_\_\_ 1000 - 1900 m<sup>3</sup>/h  
 Max temp of extracted air: \_\_\_\_\_ +120°C

Art. No:  
 2 m: \_\_\_\_\_ 10560232  
 3 m: \_\_\_\_\_ 10560332  
 4 m: \_\_\_\_\_ 10560432  
 5 m: \_\_\_\_\_ 10560532

Dimensions NEX HD Extraction Arm



Pressure drop NEX HD Extraction Arm



# Nederman NEX MD

## A sturdy arm for medium to heavy applications



*NEX MD has a patented ball joint hood suspension. This, in combination with the parallelogram construction, enables an easy and precise manoeuvrability of hood and arm.*

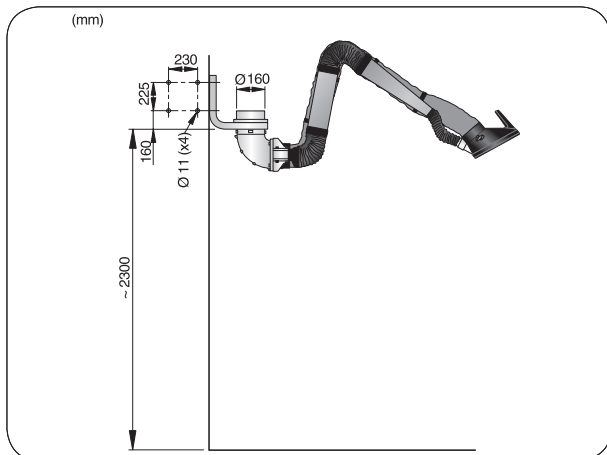
Nederman NEX MD is a new extraction arm for medium to heavy duty applications. The arm has a Ø160 mm hose, which together with the external arm system provide a high air flow and a low pressure drop.

- Robust swivel - allows 360° rotation
- Perfectly balanced and simple to position
- Encapsulated support mechanism protects the arm against dust and dirt
- Can be mounted on brackets, extension arms and exhaust rails
- Can be connected to a single fan or to a ducted system
- The design of the hood ensures very high capture capacity and low noise level
- Equipped with a damper in the hood - saves energy when not in operation
- The hose is easy to remove for cleaning

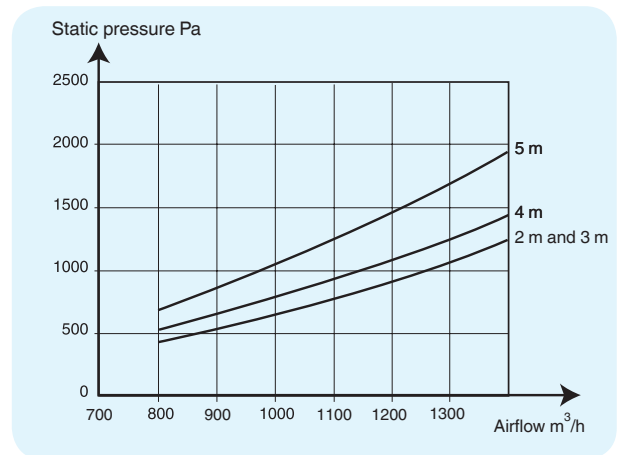
Arm lengths: \_\_\_\_\_ 2, 3, 4, 5 m  
 Ducting diameter: \_\_\_\_\_ Ø160 mm  
 Recommended airflow: \_\_\_\_\_ 900 - 1300 m<sup>3</sup>/h  
 Max temp of extracted air: \_\_\_\_\_ +70°C

Art. No:  
 2 m: \_\_\_\_\_ 10561032  
 3 m: \_\_\_\_\_ 10561132  
 4 m: \_\_\_\_\_ 10561232  
 5 m: \_\_\_\_\_ 10561332

Dimensions NEX MD Extraction Arm

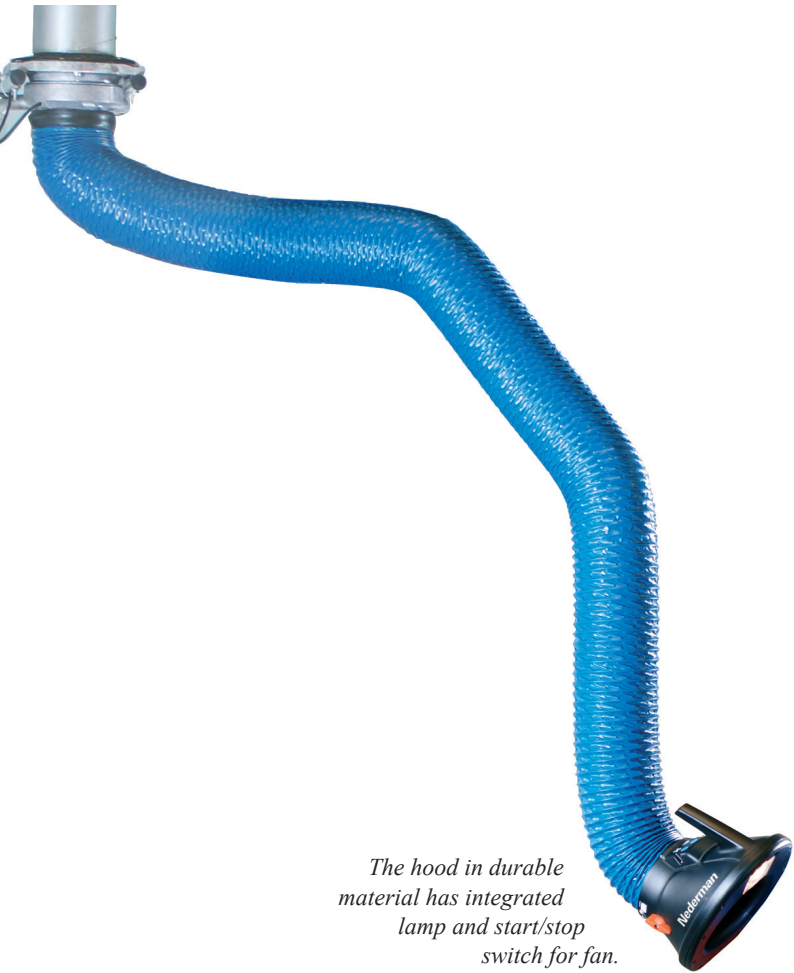


Pressure drop NEX MD Extraction Arm



# Nederman Original

## An all-round arm for medium applications



The Nederman Original extraction arm is equipped with a hood in a design (patent pending) that ensures optimal capturing capacity and manoeuvrability for easy positioning. The arm can be mounted on a ceiling, wall or bench or on an extension bracket. A wide range of accessories gives unlimited possibilities to match the needs at any workspace. This makes Nederman Original to a universal solution wherever dust and fumes must be eliminated in an easy way. The hood in durable material with integrated start/stop switch for fan and lamp.

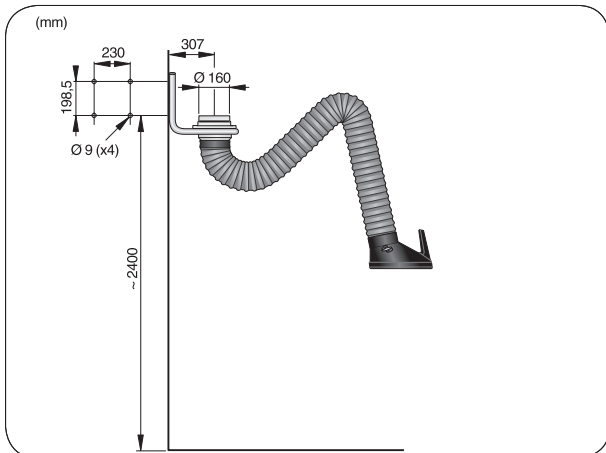
- Robust swivel - allows 360° rotation
- The arm is flexible in all directions and simple to position
- Can be mounted on brackets, extension arms, exhaust rails or on fixed or mobile filter equipment
- Can be connected directly to a single fan or to a ducted system
- Equipped with a damper in the hood - saves energy when not in operation

Arm lengths: \_\_\_\_\_ 2, 3, 4V, 4H, 5m\*  
 Ducting diameter: \_\_\_\_\_ Ø160 mm  
 Recommended airflow: \_\_\_\_\_ 700 - 1000 m<sup>3</sup>/h  
 Max temp of extracted air: \_\_\_\_\_ +70°C

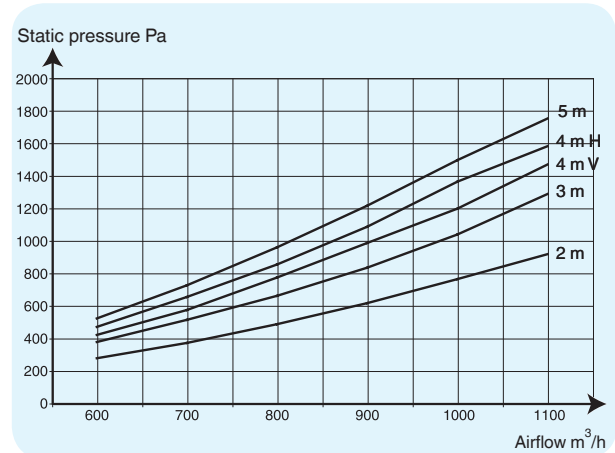
Art. No:  
 2 m: \_\_\_\_\_ 10554235                      4 m H: \_\_\_\_\_ 10554535  
 3 m: \_\_\_\_\_ 10554335                      5 m: \_\_\_\_\_ 10554935  
 4 m V: \_\_\_\_\_ 10554435

4V: 4m Vertical: Long reach for work when the need for extraction at both high and low levels.  
 4H: 4m Horizontal: Long reach and fits under low ceilings.  
 \* 5m: For car body work.

### Dimensions Original Extraction Arm



### Pressure drop Original Extraction Arm



# Nederman Telescopic

## A handy solution for small work areas



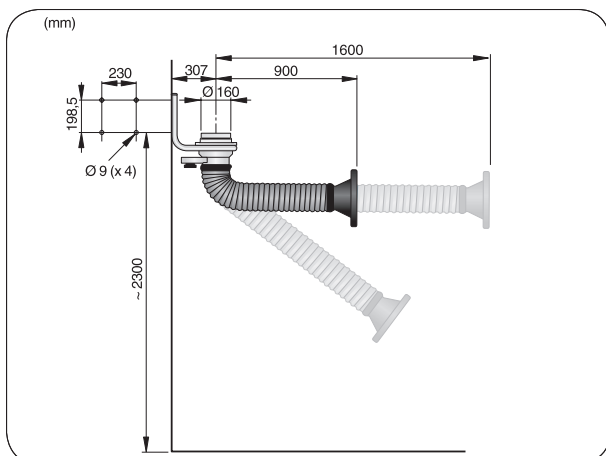
The Nederman Telescopic arm is specially designed for working environments with fumes, vapours or non explosive dust, where the space is limited. Typical workplaces can be welding schools or for production in small welding booths. The applications can be welding, grinding, or other industrial processes where a small easily positioned arm is required. The reach of the arm is between 0.9 to 1.6 m.

- Robust swivel - allows 360° rotation
- Flexible in all directions and simple to position
- The arm has a balanced telescopic action by an adjustable balance block
- Can be connected directly to a single fan or to a ducted system

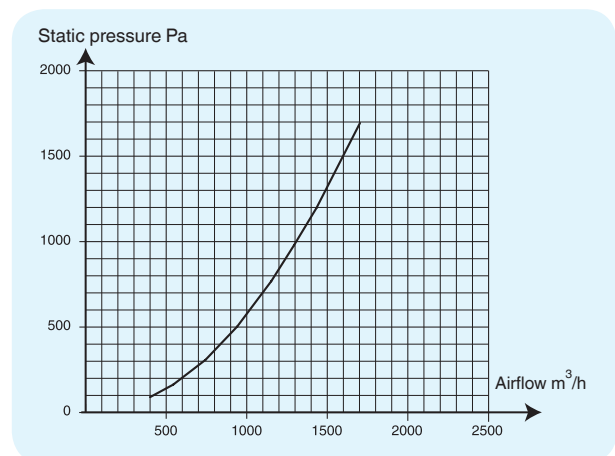
Arm reach: \_\_\_\_\_ 0,9 - 1,6 m  
 Ducting diameter: \_\_\_\_\_ Ø160 mm  
 Recommended airflow: \_\_\_\_\_ 600 - 900 m<sup>3</sup>/h  
 Max temp of extracted air: \_\_\_\_\_ +70°C

Art. No:  
 Metal hood: \_\_\_\_\_ 10502531  
 Original hood: \_\_\_\_\_ 10502331

Dimensions Telescopic Extraction Arm



Pressure drop Telescopic Extraction Arm



# Nederman Standard

## The "extra", easy-to-mount arm



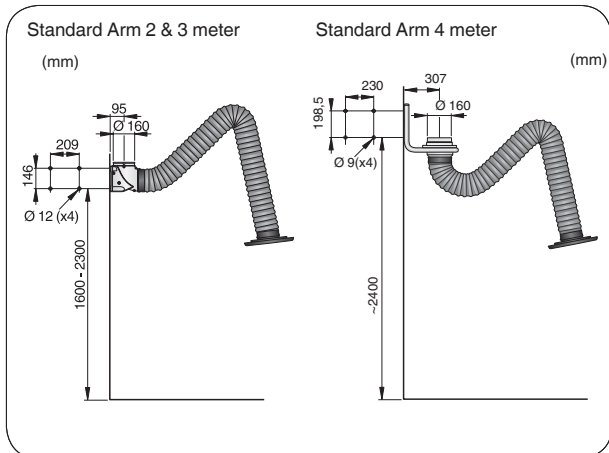
The Nederman Standard arm is specially designed for working environments with fumes, vapours or non explosive dust, where the demands for higher airflows and temperatures are moderate. Typical workplaces can be welding schools and different types of applications in light production. The applications can be welding, grinding, and other industrial processes where an easily positioned arm is required. The arm is available with a high efficiency hood without damper.

- The arm can rotate 180°
- Flexible in all directions and simple to position
- Wall mounted and suspended by an integrated wall bracket
- Can be connected to a single fan or a ducted system
- Can be equipped with a damper

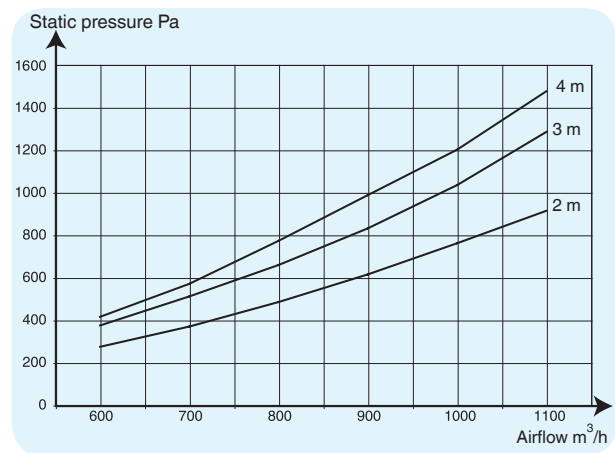
Arm lengths: \_\_\_\_\_ 2, 3 & 4 m  
 Ducting diameter: \_\_\_\_\_ 160 mm  
 Recommended airflow: \_\_\_\_\_ 600 - 900 m<sup>3</sup>/h  
 Max temp of extracted air: \_\_\_\_\_ +70°C

Art. No:  
 2 m: \_\_\_\_\_ 10500238  
 3 m: \_\_\_\_\_ 10500338  
 4 m: \_\_\_\_\_ 10500538

### Dimensions



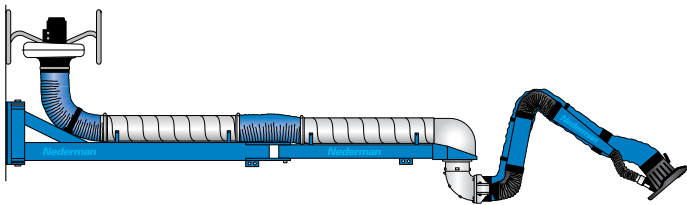
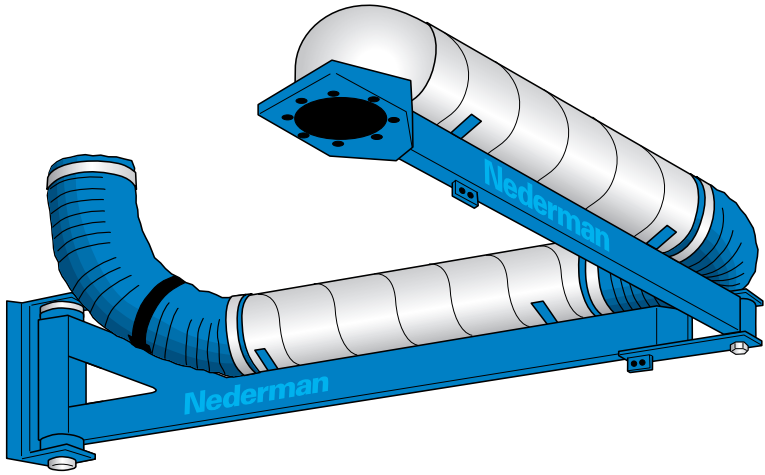
### Pressure drop Standard Extraction Arm





# Nederman Extension Arm

## Solution for larger working areas



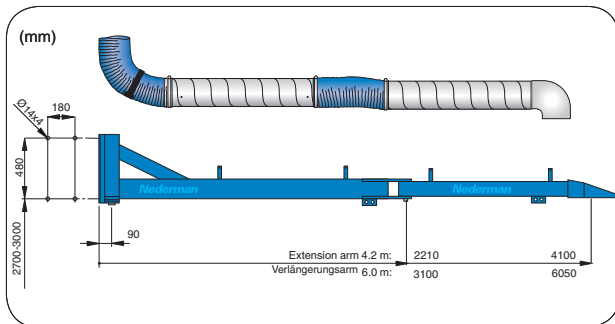
The Nederman Extension Arm gives the extraction arm an extra reach of 4.2 m or 6.0 m. Made of robust steel profiles and suspended by a pivoting wall bracket. Equipped with a joint in the middle, which makes it flexible in all directions, and a Ø200 mm hose for high airflows.

- Universal bracket makes it possible to fit additional equipment directly on to the Extension Arm
- Recommended additional extraction arms: Original, NEX MD or NEX HD (each max. 4 m) – see picture to the left
- The duct kit must be ordered separately

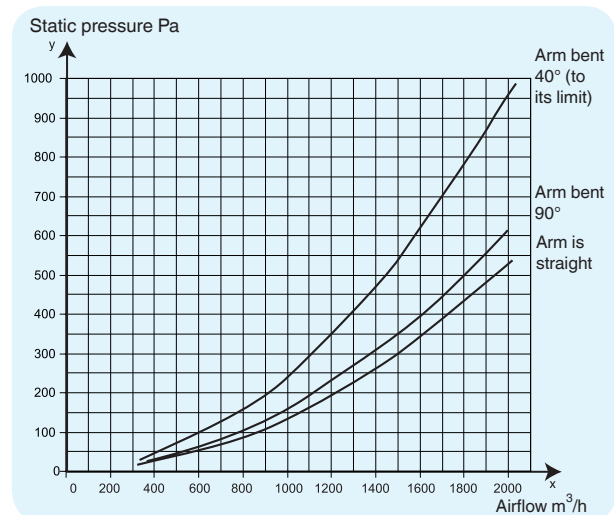
Recommended airflows: \_\_\_\_\_ Max. 2000 m<sup>3</sup>/h  
 Recommended max. negative pressure: \_\_\_\_\_ 3000 Pa  
 Connection diameter: \_\_\_\_\_ 200 mm  
 Max. load on outer arm 4.2 m: \_\_\_\_\_ 100 kg  
 Max. load on outer arm 6.0 m: \_\_\_\_\_ 60 kg  
 Recommended installation height from floor: \_\_\_\_\_ 2.7-3.0 m

Art. No:  
 Extension Arm 4.2 m: \_\_\_\_\_ 10506635  
 Extension Arm 6.0 m: \_\_\_\_\_ 10507735  
 Accessory - Cable for light kit: \_\_\_\_\_ 10345292  
 Duct kit 4.2 m Fume: \_\_\_\_\_ 10374376  
 Duct kit 6.0 m Fume: \_\_\_\_\_ 10374360

### Dimensions Extension Arm



### Pressure drop Extension Arm



# Accessories



Wall Brackets



Spot Light / Fan Switches



Fan Switches



Spark Protection



Metal Hood with damper



Silencer



Fan Controls\*  
manual and automatic



Motor Dampers\*  
manual and automatic



Fans\*

\*see separate brochures and [www.nederman.com](http://www.nederman.com)

	Art. No.	NEX HD	NEX MD	Original	Telescopic	Standard	
Wall Bracket for 2 and 3 m arm	10372215	●	●				
Wall Bracket for 4 and 5 m arm	10372722	●	●				
Wall Bracket, 1 m	10512732	●	●				
Wall Bracket, 2 m	10512832	●	●				
Wall Bracket	10550635			●	●		
Wall Bracket, 1 m	10550735			●	●		
Wall Bracket, 2 m	10550835			●	●		
LED Spot Light/Fan Switch, 24V, 7W, Original Hood	10376922			●	●		
LED Spot Light, 24V, 7W, Metal Hood	10376924			●	●		
LED Spot Light/Fan Switch, 24V, 7W Nex HD	10376903	●					
LED Spot Light/Fan Switch, 24V, 7W, MD Hood	10376923		●				
Fan Switch	10512532	●					
Fan Switch, Metal Hood	10371080			●	●		
Spark Protection, Original Hood	10551335		●	●	●		
Spark Protection, Metal Hood	10373118			●	●		
Spark Protection	10512632	●					
Metal hood with damper	10321542			●	●		
Damper	10500438					●	
Silencer for fan	14502126 14502626	●	●	●	●		
Wallbracket for silencer	14343089	For all arms together with 14502126					

# From extraction at a single work place to complete plant systems

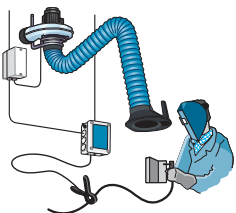


Nederman offers practical and cost-effective products which you can have as Ready-to-Go Kits including fans, control box etc.

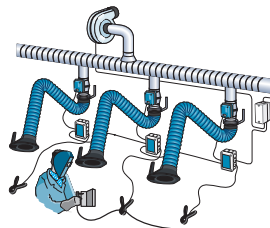
We can also help you construct a working environment uniquely suited to your requirements as a turn-key installation. Our support encompasses every step – from consultation and design to instal-

lation and after sales service. Our design services include full CAD facilities.

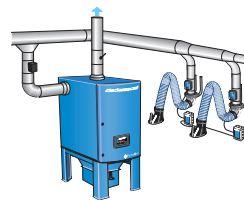
Our nationwide teams of dedicated service engineers provide on-site support. Service programs can be tailor-made to suit your set-up of Nederman equipment including scheduled maintenance.



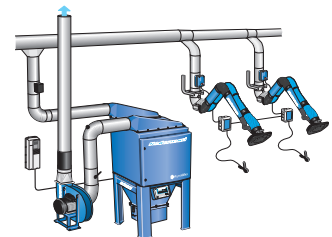
*Extraction arm with fan and automatic control. The perfect solution for a single work place.*



*Extraction arms connected to a ducted system with fan. Automatic start/stop of the fan and control of the dampers.*



*A compact solution for small workshops. The arms are connected to a filter ensuring good working conditions. The dampers are automatically controlled which saves energy.*



*A solution for larger workshops. The arms are connected to a central high-capacity fan and filter unit. The dampers are automatically controlled (opened/closed).*



The Nederman Group is one of the world's leading suppliers of products and solutions within the environmental technology sector, focusing on industrial air filtration and recycling.

Nederman products and solutions contribute to reducing the environmental impact from industrial production processes and to creating a safe and clean working environment whilst boosting production efficiency.

The Group's offering covers everything from the design stage through to installation, commissioning and servicing.

Nederman has subsidiaries in 29 countries and agents and distributors in over 30 countries.

Nederman is ISO 9001 and 14001 certified. The Group develops and produces in its own manufacturing and assembly units in Europe, North America and Asia.

In 2010 Nederman acquired Dantherm Filtration, thereby forming the world's leading Group within industrial air filtration.

The Group is listed on Nasdaq OMX Stockholm.

***Nederman***  
**www.nederman.com**