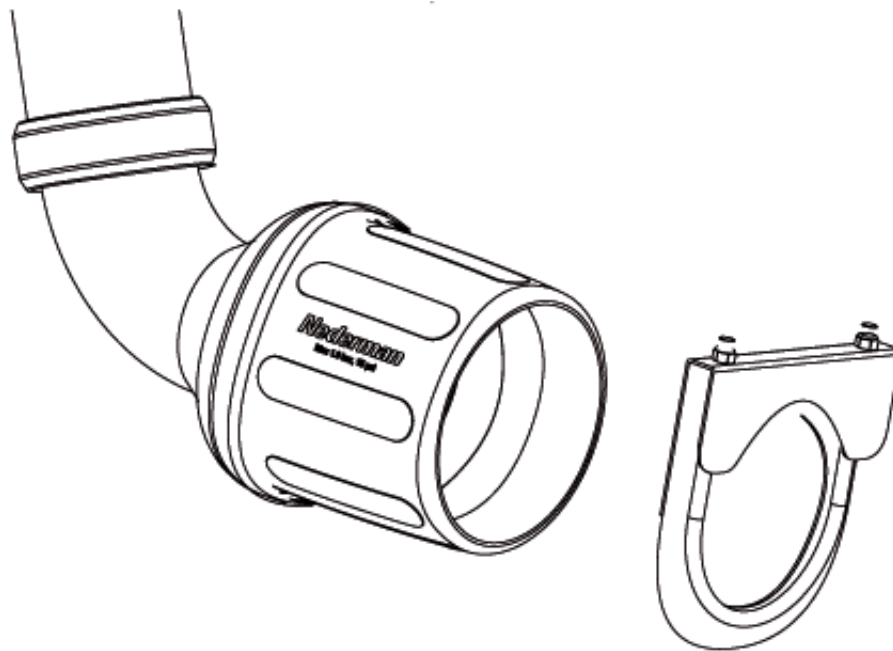


Tail pipe stop

Mounting Instruction

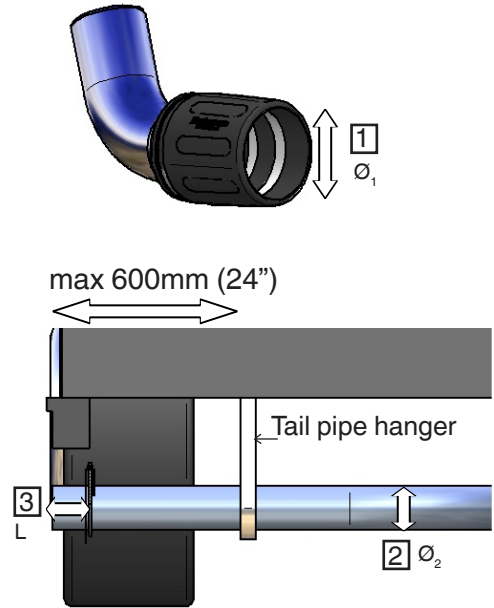


EXHAUST EXTRACTION

TAILPIPE STOP

Recommended installation measure shall be verified in place.

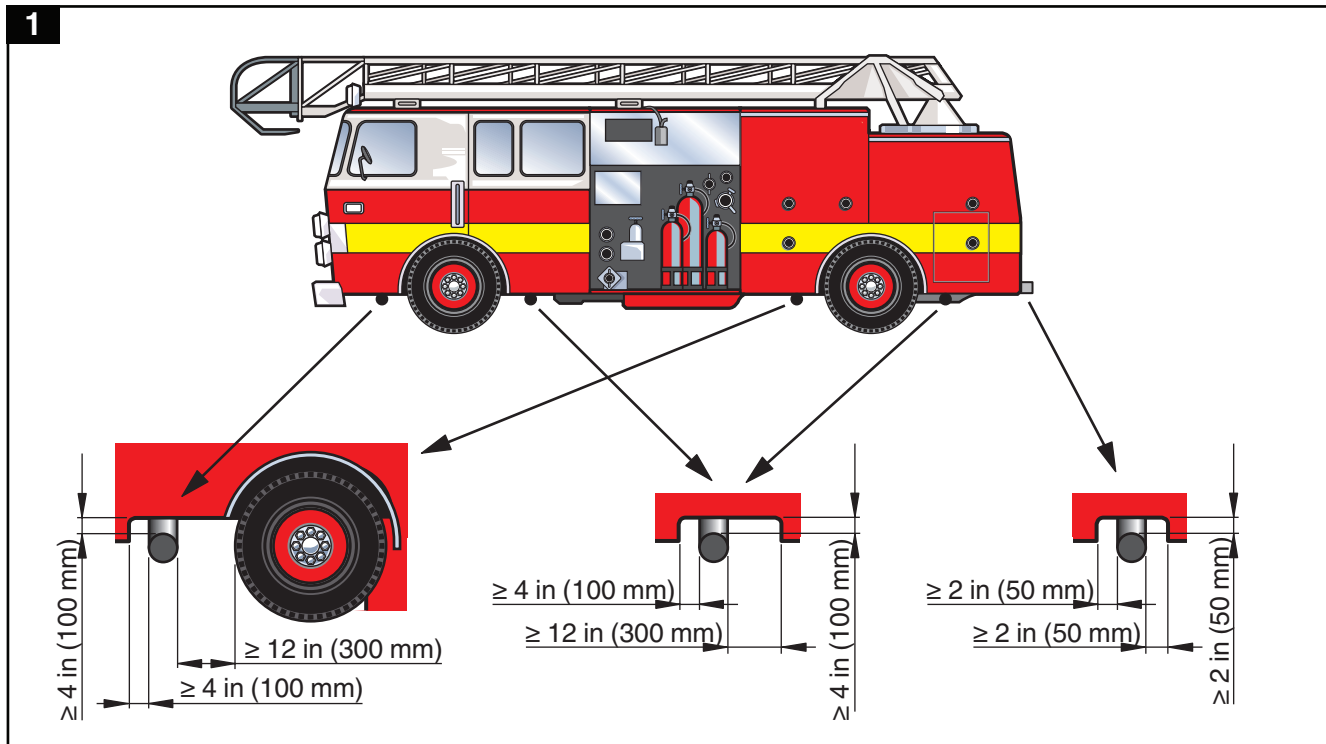
1 Nozzle diameter	2 Exhaust pipe diameter	3 Position
125 (5")	Ø 2-2.5"	3"
125 (5")	Ø 3"	2.75"
125 (5")	Ø 3.5"	2.5"
160 (6.25")	Ø 2.5- 3.5"	4.5"
160 (6.25")	Ø 4"	4"
160 (6.25")	Ø 5"	3.5"
200 (8")	Ø 5"	6"
200 (8")	Ø 6"	5.25"
200 (8")	Ø 7"	4.5"



The exhaust pipe

The edge of the exhaust pipe must have a free distance to surrounding vehicle parts, according to figure 1.

Check that the nozzle, after disconnection, does not catch any part of the vehicle. Tail pipe modification on vehicle may be required to ensure optimum exhaust nozzle release.



Finish: The opening of the tailpipe should be cut at a right angle and the edge shall be filed smooth. The end of the tailpipe shall not protrude beyond the outside edge of the vehicle.

Tailpipe/Angle: A maximum of 5 degree angle down can be applied to the tailpipe back at muffler connection or elbow.