

Electric powered series

115E - NEL3R, S50, 2.5/2.4kW, 230V 50/60Hz

42411581

Original manual

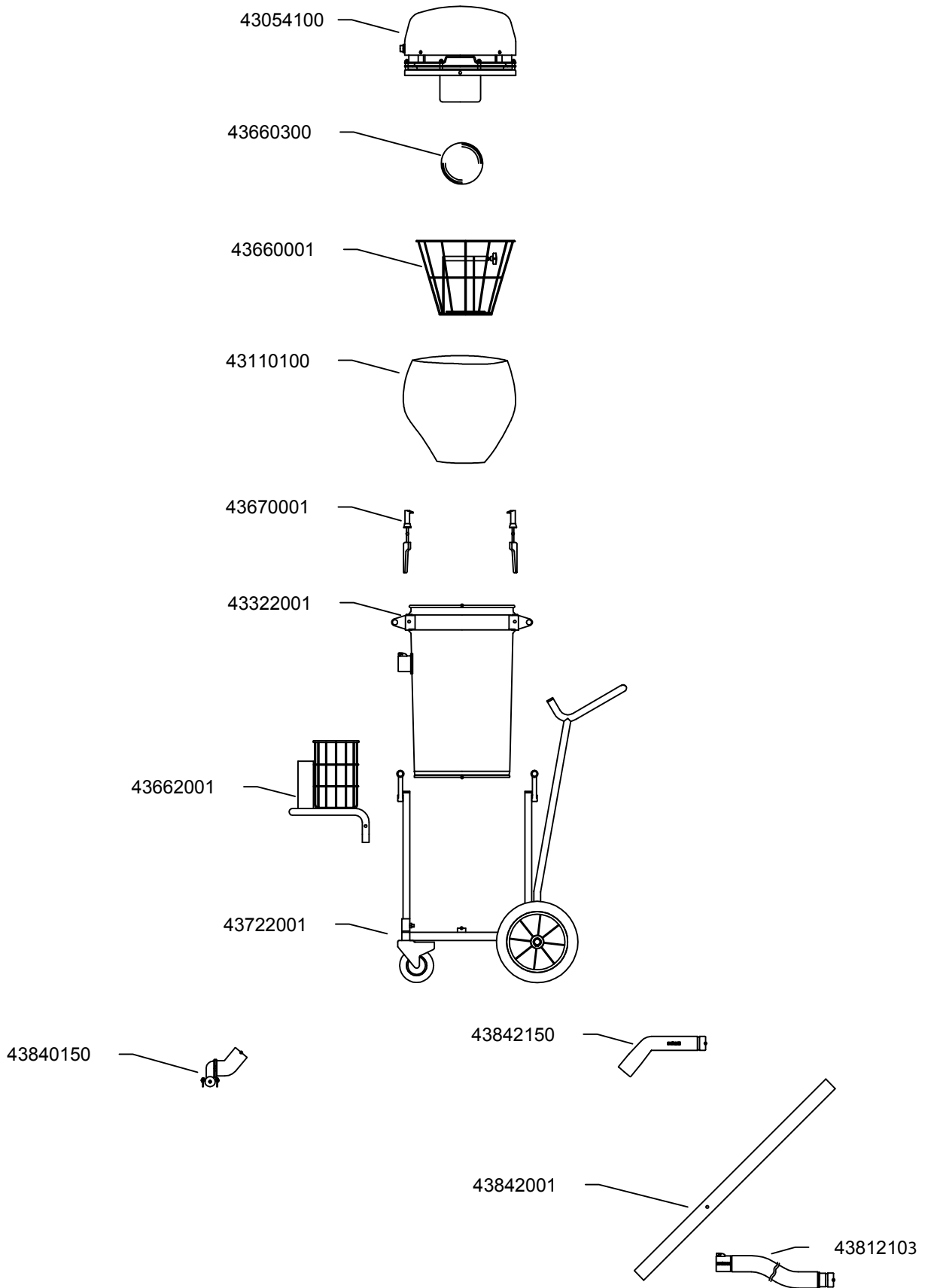
EN MODEL SPECIFICATION AND SPARE PARTS

Model specification

Description: 115E - NEL3R, S50, 2.5/2.4kW, 230V 50/60Hz

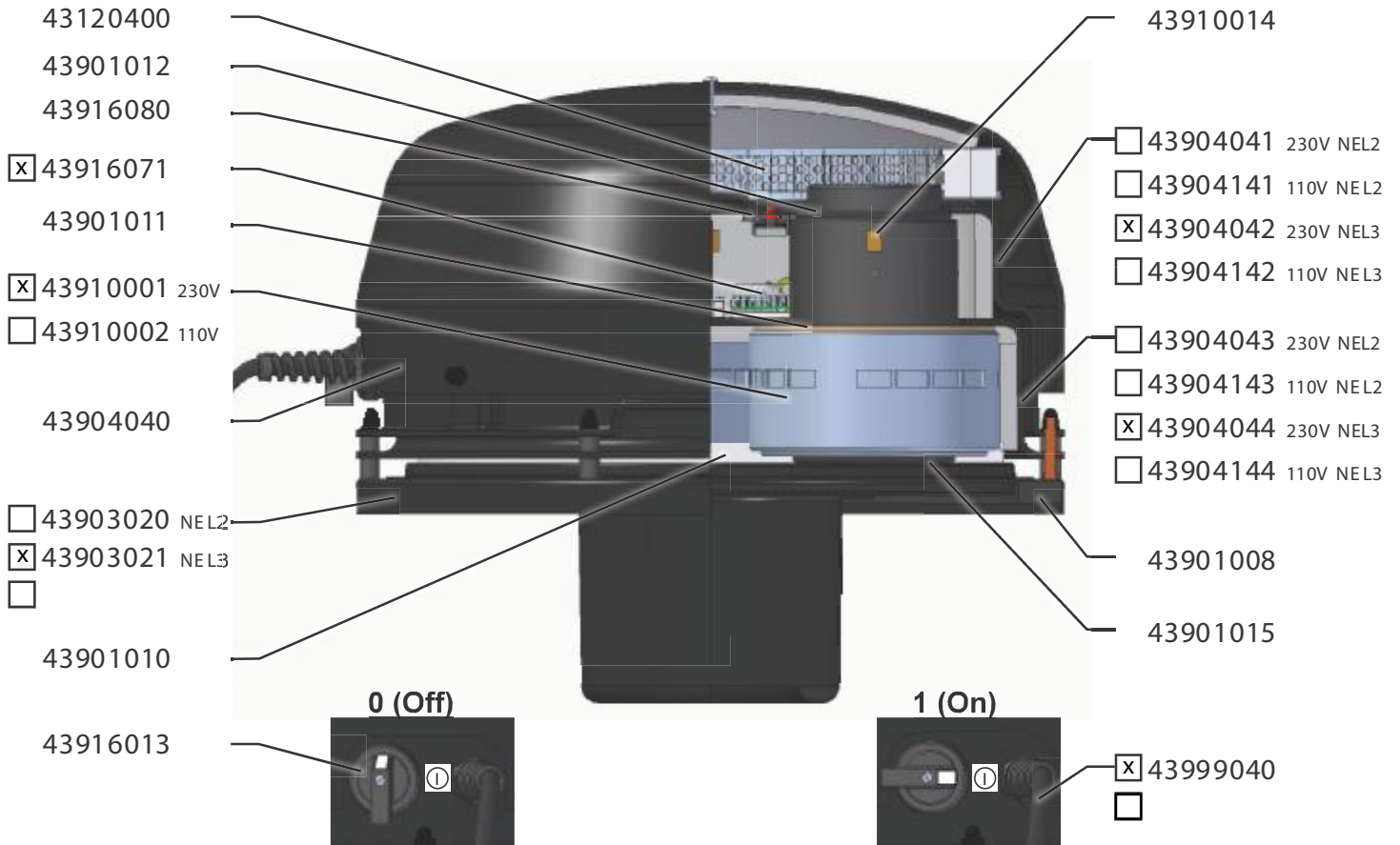
Model: 42411581

Code no.	Description	Qty.
43054100	NEL3R, S50 2.5/2.4kW 230V 50/60H	1
43110100	Filter bag S50	1
43322001	Container S50 inlet d51	1
43670001	Fastener complete	1
43660001	Basket S50	1
43660300	Float ball S50/200	1
43662001	Accessory basket S50	1
43722001	Trolley S50 tippable	1
43840150	Floor suct head d51/500	1
43842001	Suction pipe d51 PEHD-el	1
43842150	Pipe bend d51 antistatic	1
43812103	Hose PE/C-51 L=7.5	1





MAX 40°C





S 235JR (St37.2)

- 43999021
- 43999721 A4

- 43999031
- 43999531

- 43999003
- 43885001

- 43909003
- 43909103 A4
-

- 43907013
- 43907015

- 43907004
- 43907104



S235JR(St37.2)

System 50 & 200

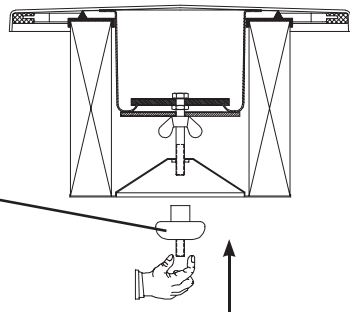
43908004



43903041



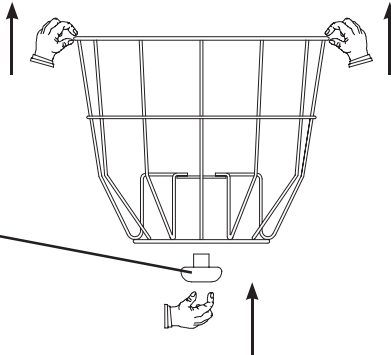
1



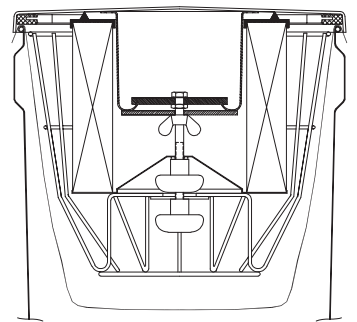
43908014



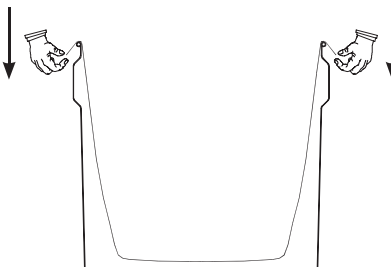
2



43908015

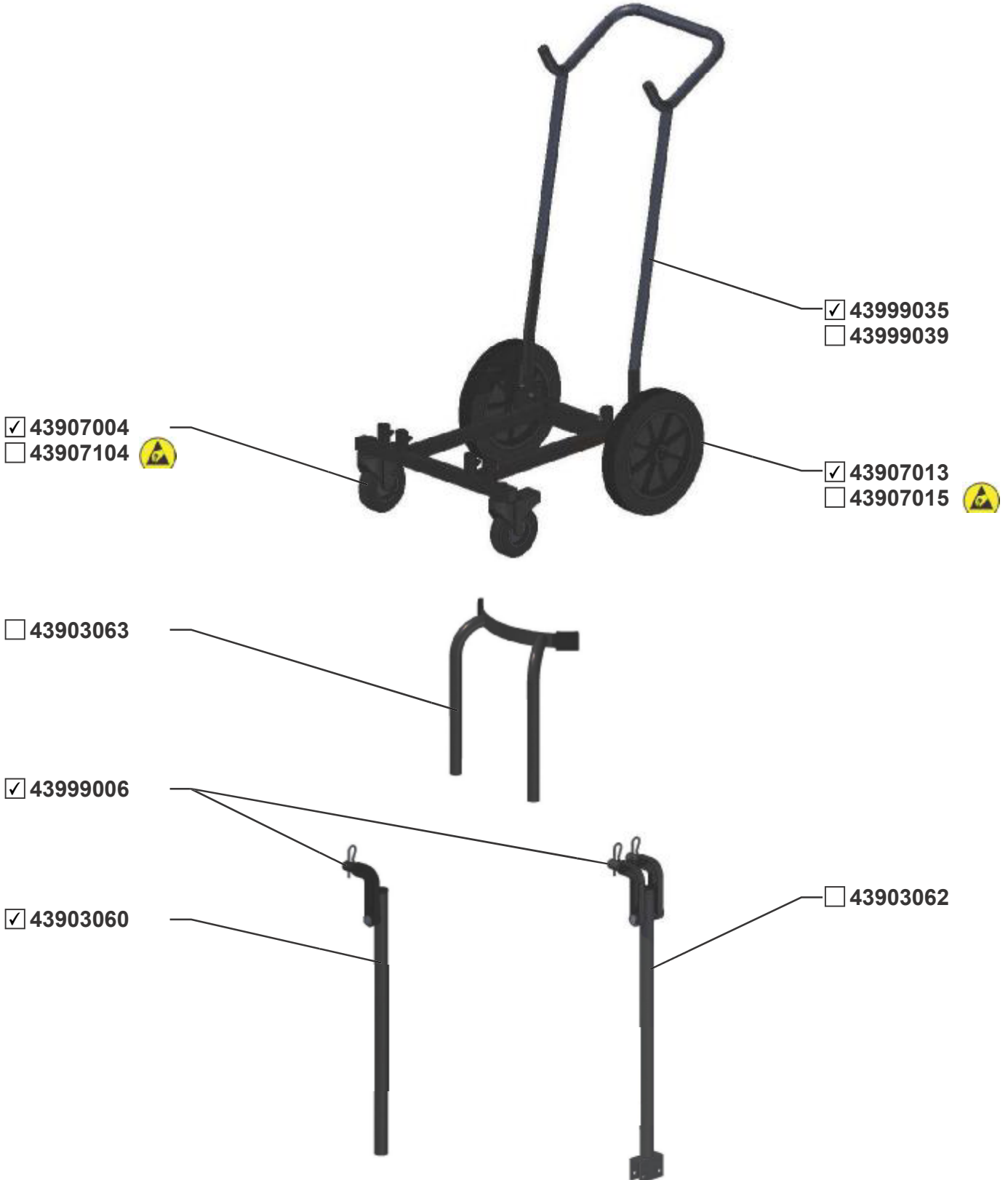


3





S235JR(St37.2)





43907001

43999007

L=400mm

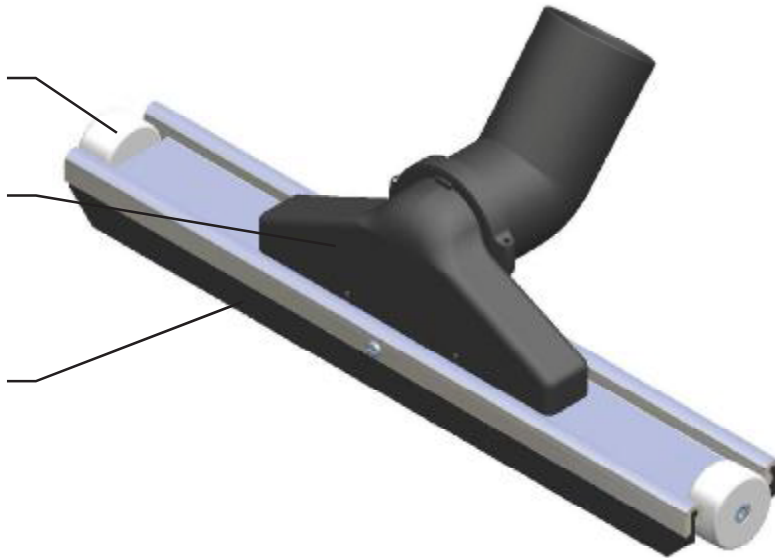
43902010

L=500mm

43902011

L=600mm

43902012



43907014

43999007

L=400mm

43902010

L=500mm

43902011

L=600mm

43902012

