

Air Powered Series

570A - NE64, S200, with 1 quick coupling

42157087

Original model specification and spare parts

EN MODEL SPECIFICATION AND SPARE PARTS

Table of contents

1 Model Specification	4
2 Spare Parts	5

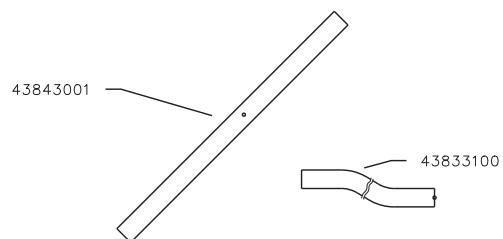
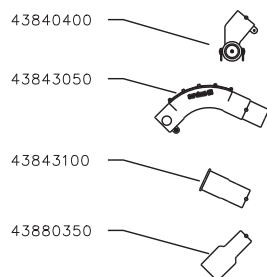
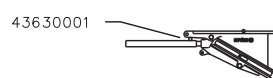
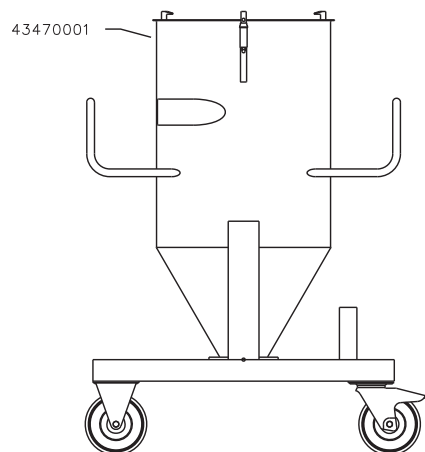
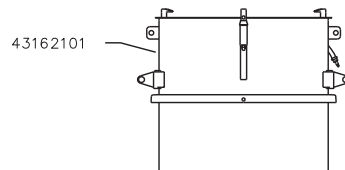
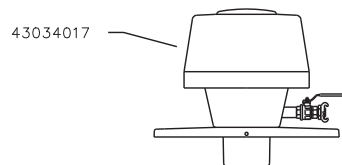
1 Model Specification

Description: 570A - NE64, S200, with 1 quick coupling

Model: 42157087

Code No.	Description	Qty.
43034017	NE64, S200, w/1 q.coupl	1
43162101	NCF3, 15-l S200 Vyon F	1
43470001	Mobile silo S200	1
43630001	Discharge valve manual	1
43840400	Floor suction head d63/500	1
43843001	Suction pipe d63x2x1000	1
43843050	Pipe bend d63 Alu	1
43843100	Swivel d63	1
43880350	Reducer conical d76-63	1
43833100	Suction hose PU d63 L=20m	1

2 Spare Parts



42157087

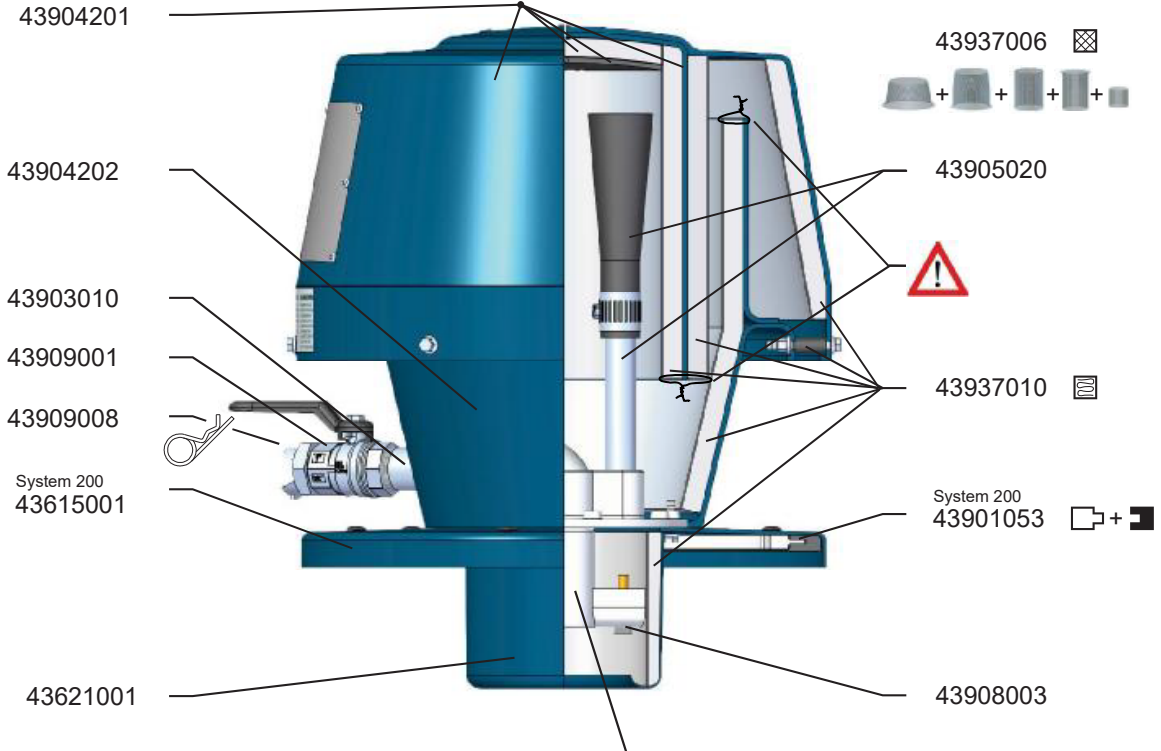
570A - NE64, S200, with 1 quick coupling



MAX 8 bar



S235JR(St37.2)

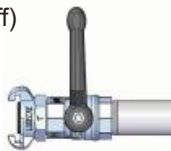


	Vacuum producer	Compressed air consumption Nm ³ /min	Max. vacuum mmWC	-kPa	Max. air flow Nm ³ /hr	Noise level* dB(A)	Ejector body
<input type="checkbox"/>	NE22	1,0	2100	21	306	72,0	43905001
<input type="checkbox"/>	NE32	1,6	3100	31	342	74,0	43905002
<input type="checkbox"/>	NE42	2,2	4200	42	360	73,5	43905003
<input type="checkbox"/>	NE52	3,0	5200	52	342	75,5	43905004
<input type="checkbox"/>	NE56	2,7	2500	25	564	73,5	43905005
<input checked="" type="checkbox"/>	NE64	4,3	6800	68	330	77,0	43905006
<input type="checkbox"/>	NE66	4,1	3800	38	630	76,5	43905007
<input type="checkbox"/>	NE74	5,3	7800	78	318	75,0	43905008
<input type="checkbox"/>	NE76	5,4	4800	48	690	78,0	43905009
<input type="checkbox"/>	NE96	8,6	6800	68	660	78,0	43905011
<input type="checkbox"/>	NE56x2	5,4	2500	25	1128	76,5	43905005
<input type="checkbox"/>	NE96x2	17,2	6800	68	1320	79,0	43905011

*Noise level - distance: 3 m - height: 1,1 m

(Air pressure 7 bar)

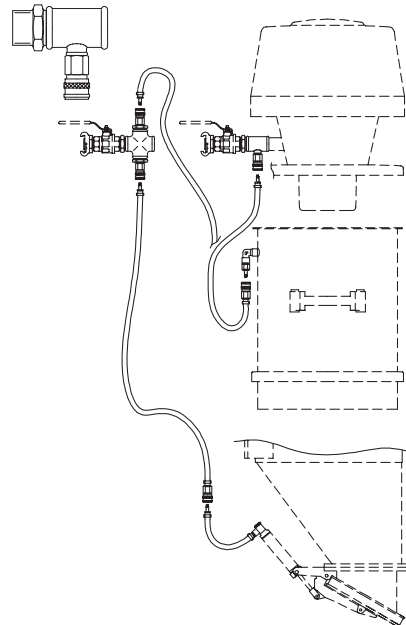
0 (Off)



1 (On)



43214001

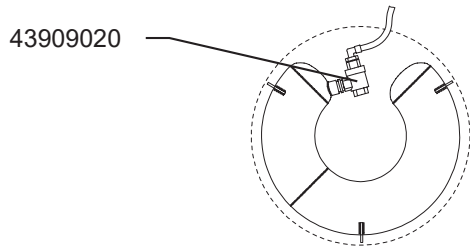
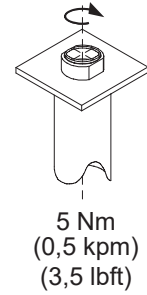
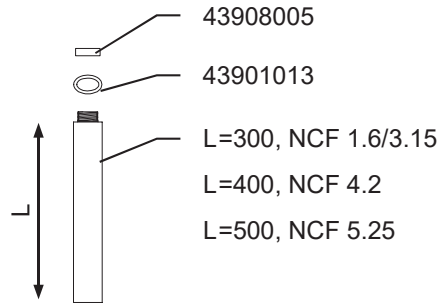
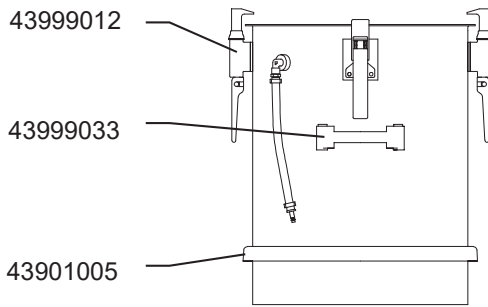


43034017

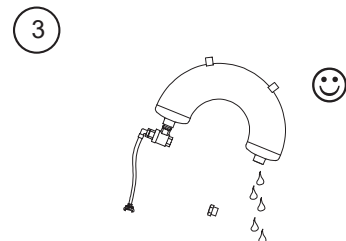
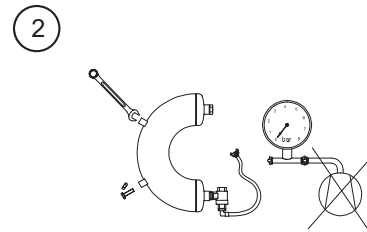
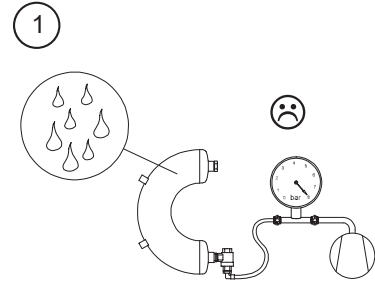
570A - NE64, S200, with 1 quick coupling



MAX 8 bar



		Area m ²	Candle mm	Volume* liter	Candles
<input type="checkbox"/>	NCF 1.6	1,6	300	2,9	36
<input checked="" type="checkbox"/>	NCF 3.15	3,15	300	7,6	70
<input type="checkbox"/>	NCF 4.2	4,2	400	7,6	70
<input type="checkbox"/>	NCF 5.25	5,25	500	10,4	70



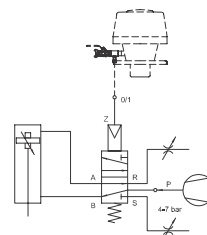
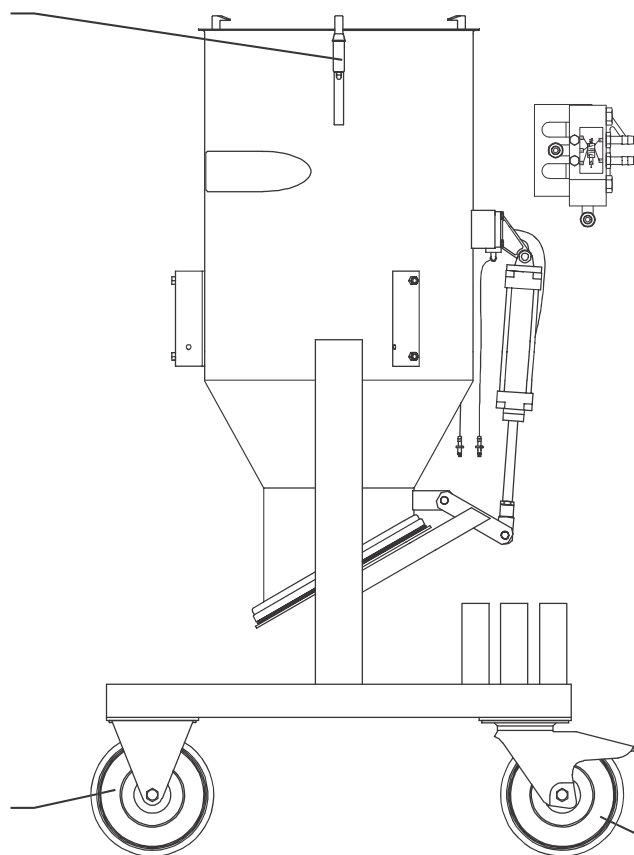
	Code no.	Material	Candle mm	T _{min}	T _{max}	EN 60335-2-69
<input checked="" type="checkbox"/>	43906010		300	-10°C	70°C	U
<input type="checkbox"/>	43906012	Vyon	400	-10°C	70°C	U
<input type="checkbox"/>	43906011		500	-10°C	70°C	U
<input type="checkbox"/>	43906050		300	-10°C	80°C	H12
<input type="checkbox"/>	43906051	PET w/membrane	400	-10°C	80°C	H12
<input type="checkbox"/>	43906052		500	-10°C	80°C	H12
<input type="checkbox"/>	43906042	PPF	500	-10°C	110°C	U

43162101



S235JR(St37.2)

43999012



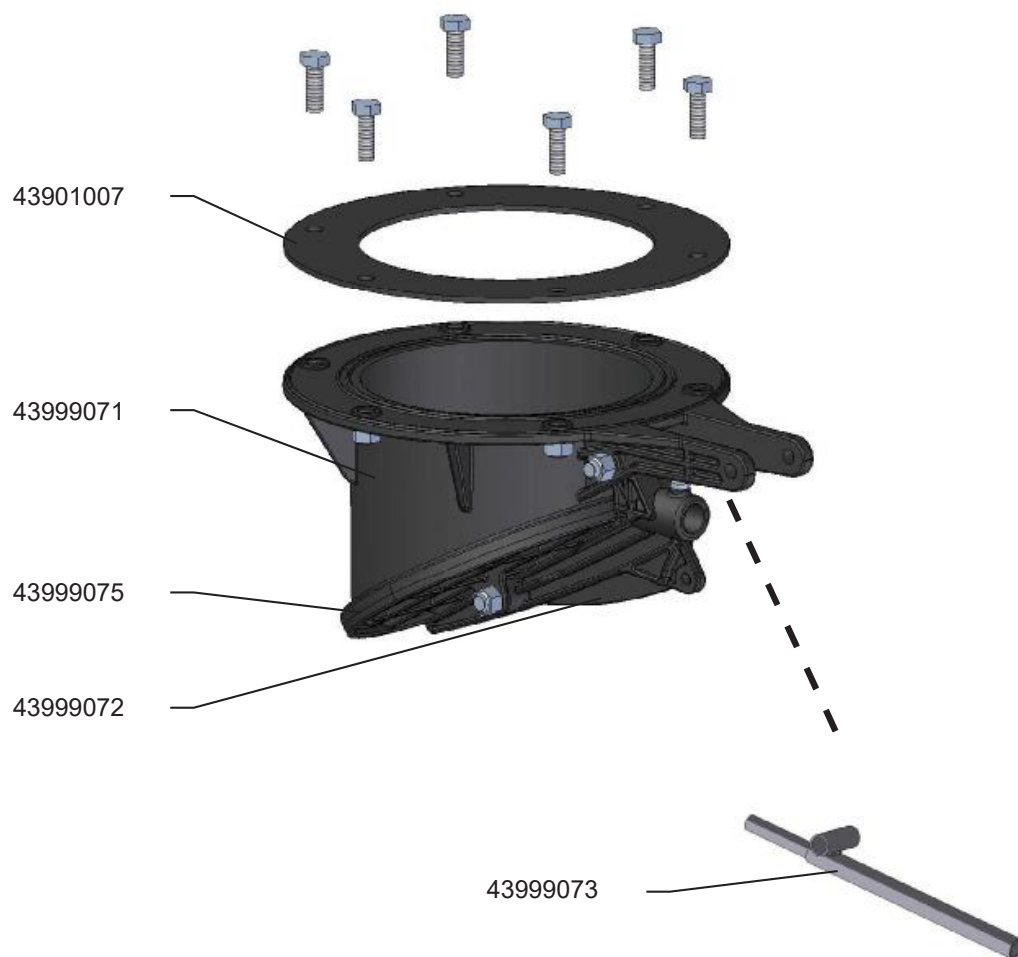
43907008

43907007

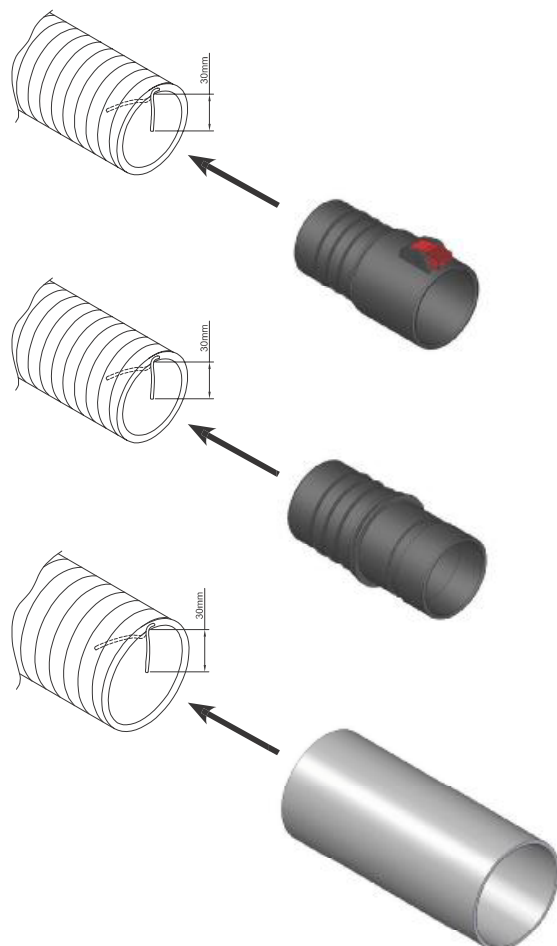
43470001



MAX 1.5 bar

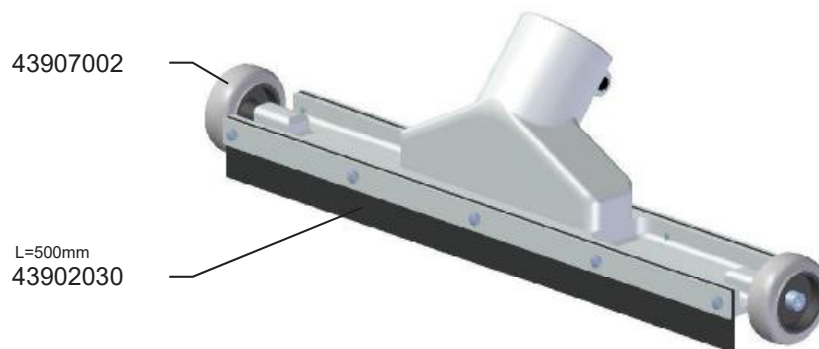


43630001

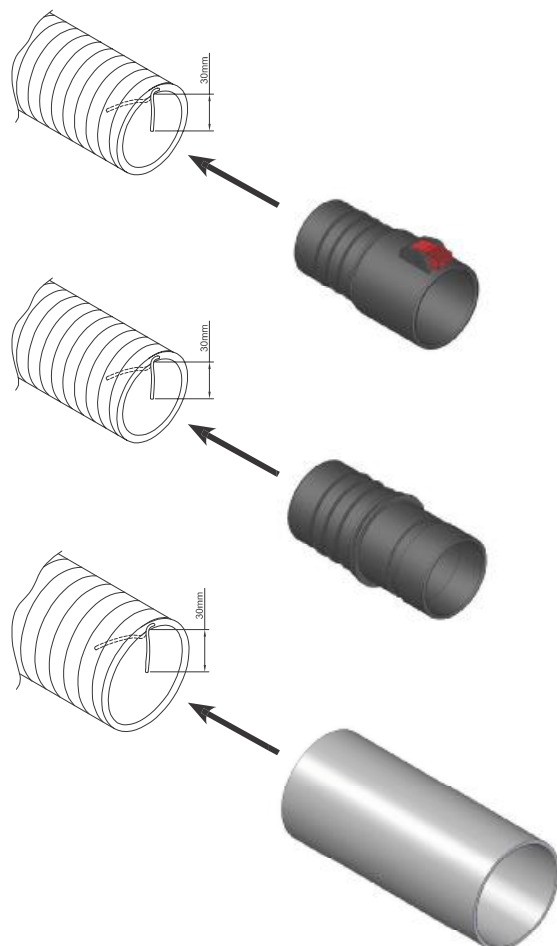


	Material	C°/F°
<input type="checkbox"/>	PE	-40°C - +60°C -40°F - +140°F
<input type="checkbox"/>	PVC	-20°C - +70°C -4°F - +158°F
<input checked="" type="checkbox"/>	PUR	-40°C - +90°C -40°F - +194°F

43833100



43840400



	Material	C°/F°
<input type="checkbox"/>	PE	-40°C - +60°C -40°F - +140°F
<input type="checkbox"/>	PVC	-20°C - +70°C -4°F - +158°F
<input checked="" type="checkbox"/>	PUR	-40°C - +90°C -40°F - +194°F

43843100

Nederman

www.nederman.com