

Air driven ATEX series

216A EX-NE42, S50, ATEX Ex II 2GD

42221602

Original manual

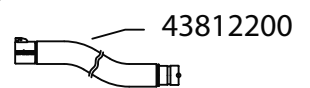
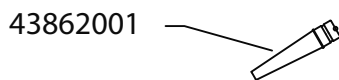
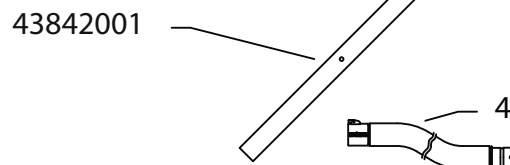
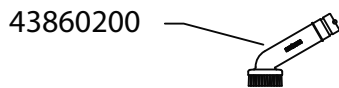
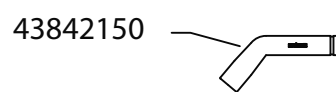
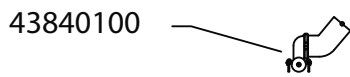
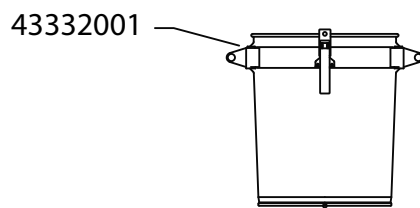
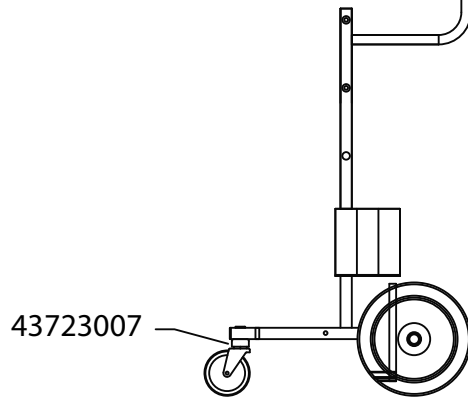
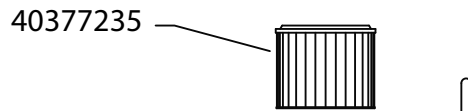
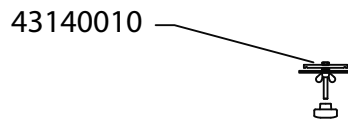
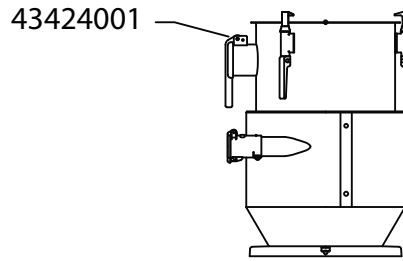
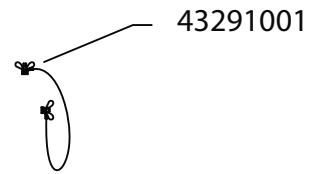
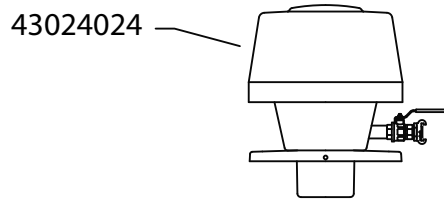
EN MODEL SPECIFICATION AND SPARE PARTS

Model Specification

Description: 216A EX-NE42, S50, ATEX Ex II 2GD

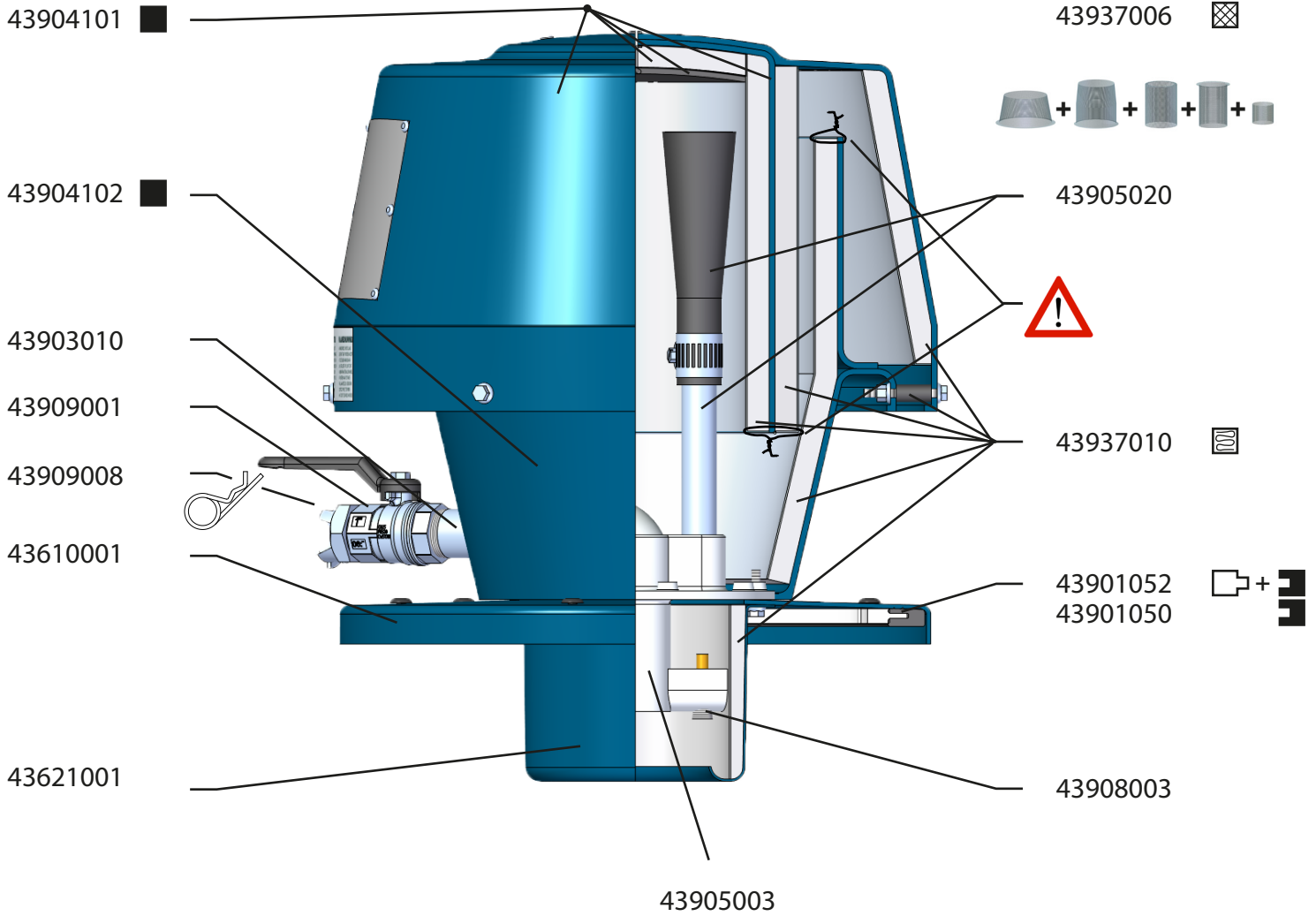
Model: 42221602

Code no.	Description	Qty.	Page
43024024	NE42, S50 antistatic	1	4
40377235	Absolute filter L=220 A=1.56m ²	1	-
43140010	Clamp f/cartr.filter M10 L=90 El-	1	-
43291001	Earthingkit	1	-
43332001	Container S50 47l w/ecc fastners	1	5
43424001	Silo S50 w/rev air clean d51	1	6
43723007	Trolley S50 f/silo	1	7
43812200	Suction hose PE d51 L=10m	1	-
43840100	Floor suct head d51/400	1	8
43842001	Suction pipe d51 PEHD-el	1	-
43842150	Pipe bend d51 antistatic	1	-
43860200	Brush nozzle d51 soft	1	-
43862001	Conical nozzle d51	1	-





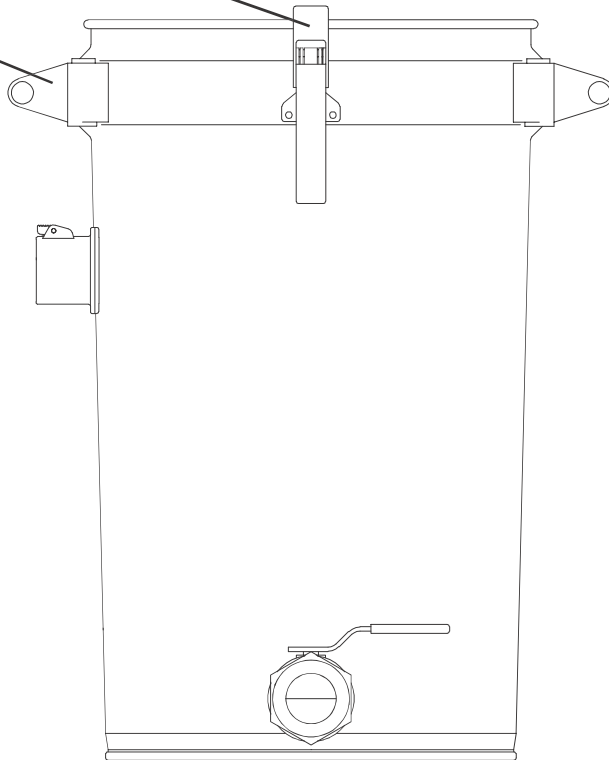
MAX 8 bar

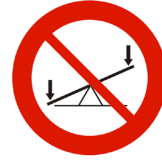




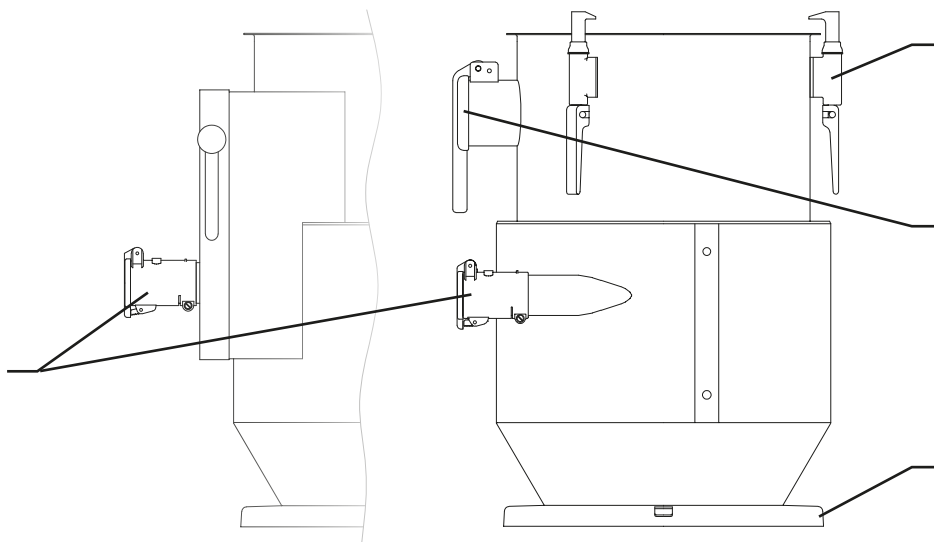
43999021

43999531





43885001

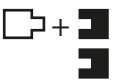


43999012

43999028

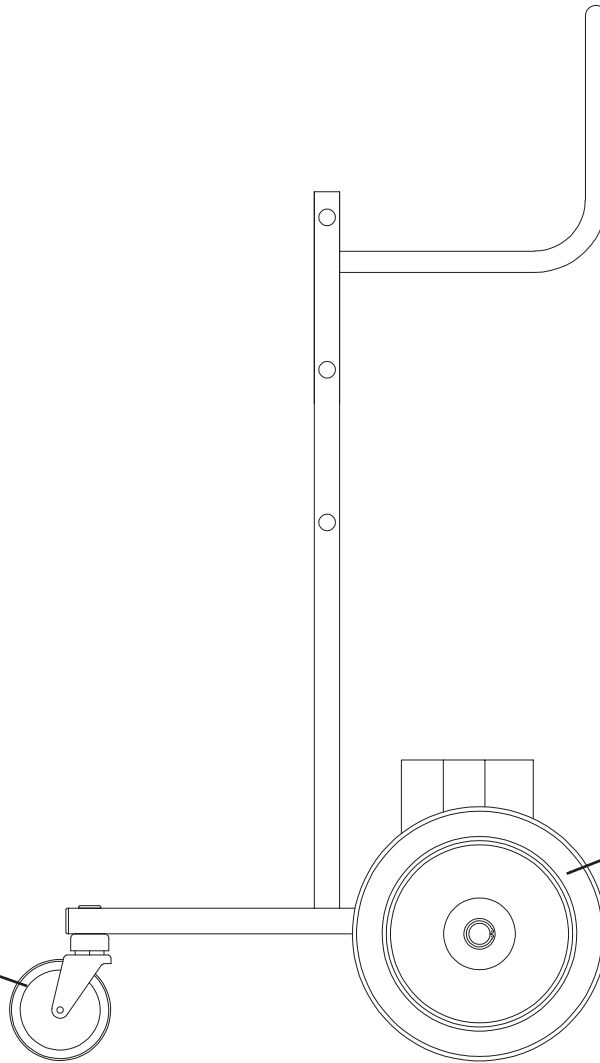
43901052

43901050



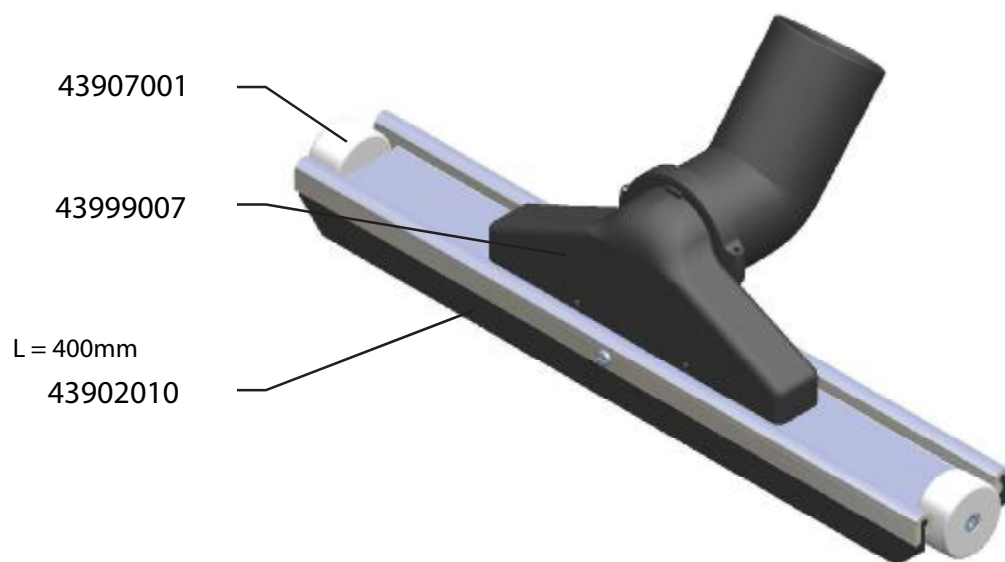


43907104



43907015





Nederman

www.nederman.com