

Air-Powered Series

216A EX -NE42, S50, ATEX Ex II 2GD

42221601

Original model specification and spare parts

EN MODEL SPECIFICATION AND SPARE PARTS

Table of contents

1 Model Specification	4
2 Spare Parts	5

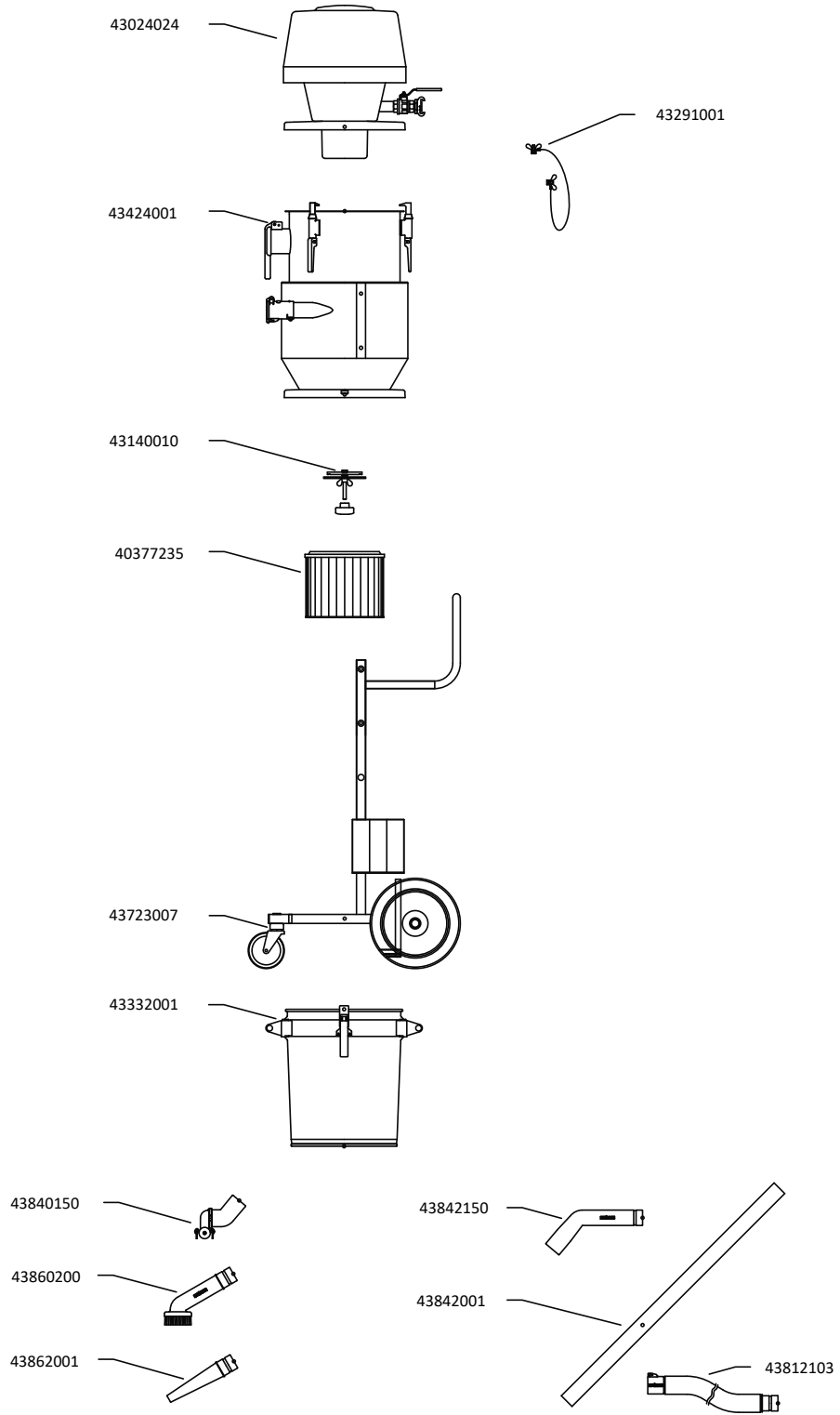
1 Model Specification

Description: 216A EX -NE42, S50, ATEX Ex II 2GD

Model: 42221601

Code No.	Description	Qty.
43024024	NE42, S50 antistatic	1
40377235	Absolute filter antistatic L=220 A=1.56m ²	1
43140010	Clamp f/cartr.filter M10 L=90 EI-Zn	1
43291001	Earthing kit	1
43332001	Container S50 47l w/ecc fasteners	1
43424001	Silo S50 w/rev air clean d51	1
43723007	Trolley S50 f/silo	1
43812103	Hose PE/C-51 L=7,5m	1
43840150	Floor suction head d51/500	1
43842001	Suction pipe d51 PEHD-el	1
43842150	Pipe bend d51 antistatic	1
43860200	Brush nozzle d51 soft	1
43862001	Conical nozzle d51	1

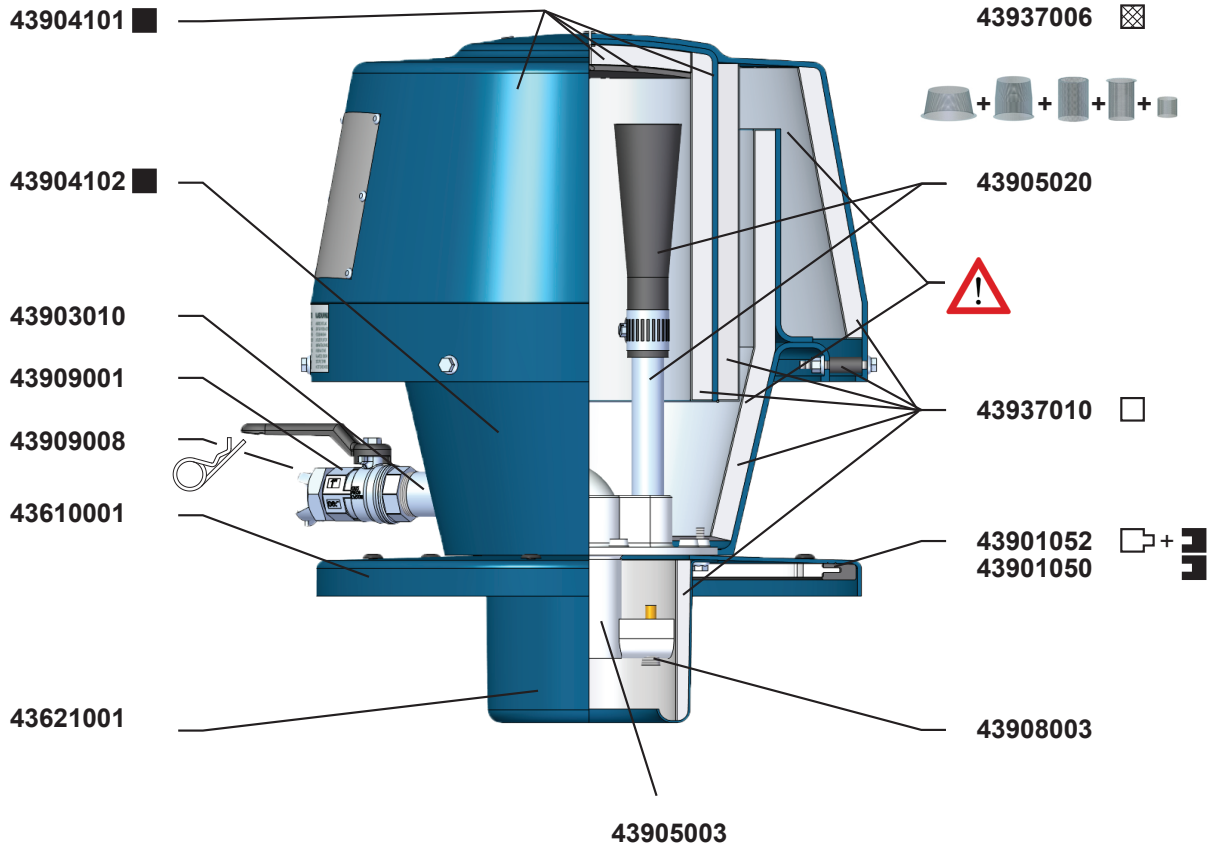
2 Spare Parts



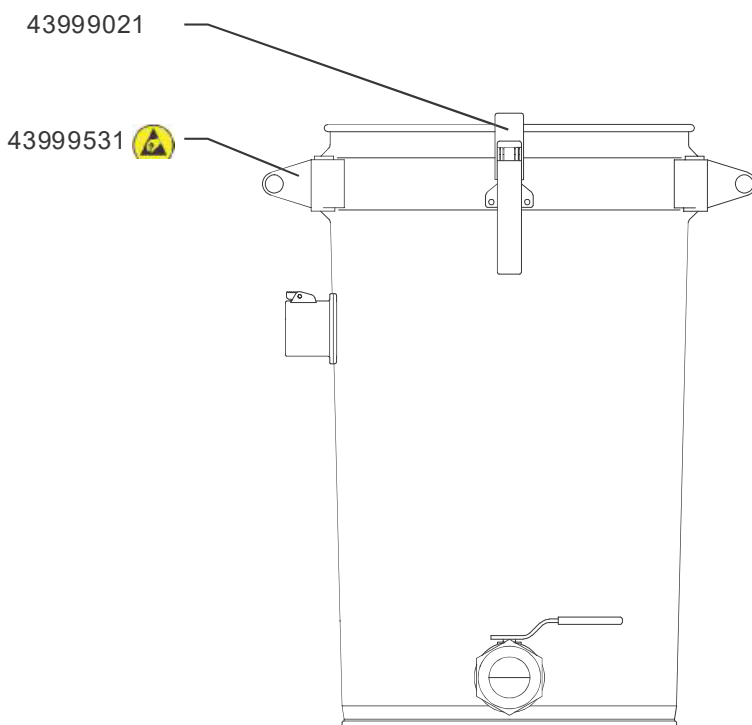
42221601



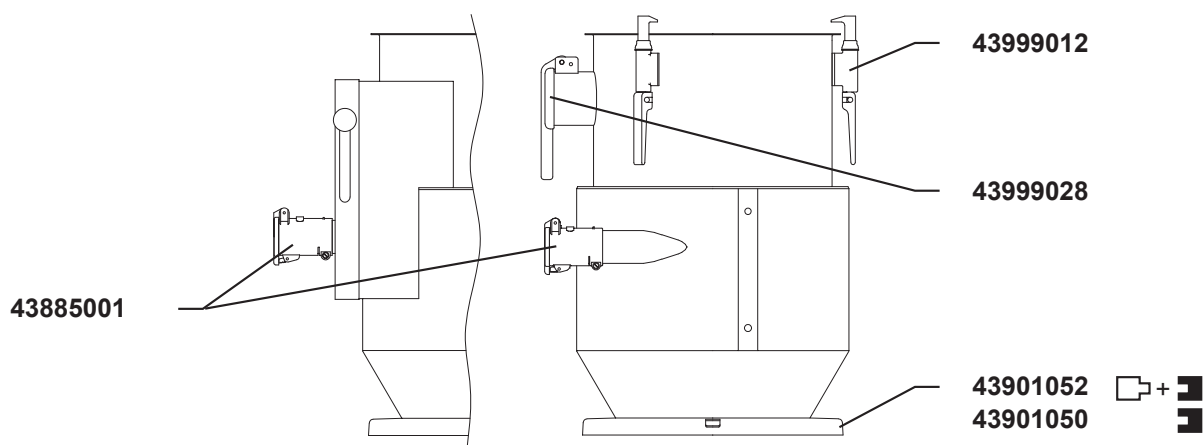
MAX 8 bar



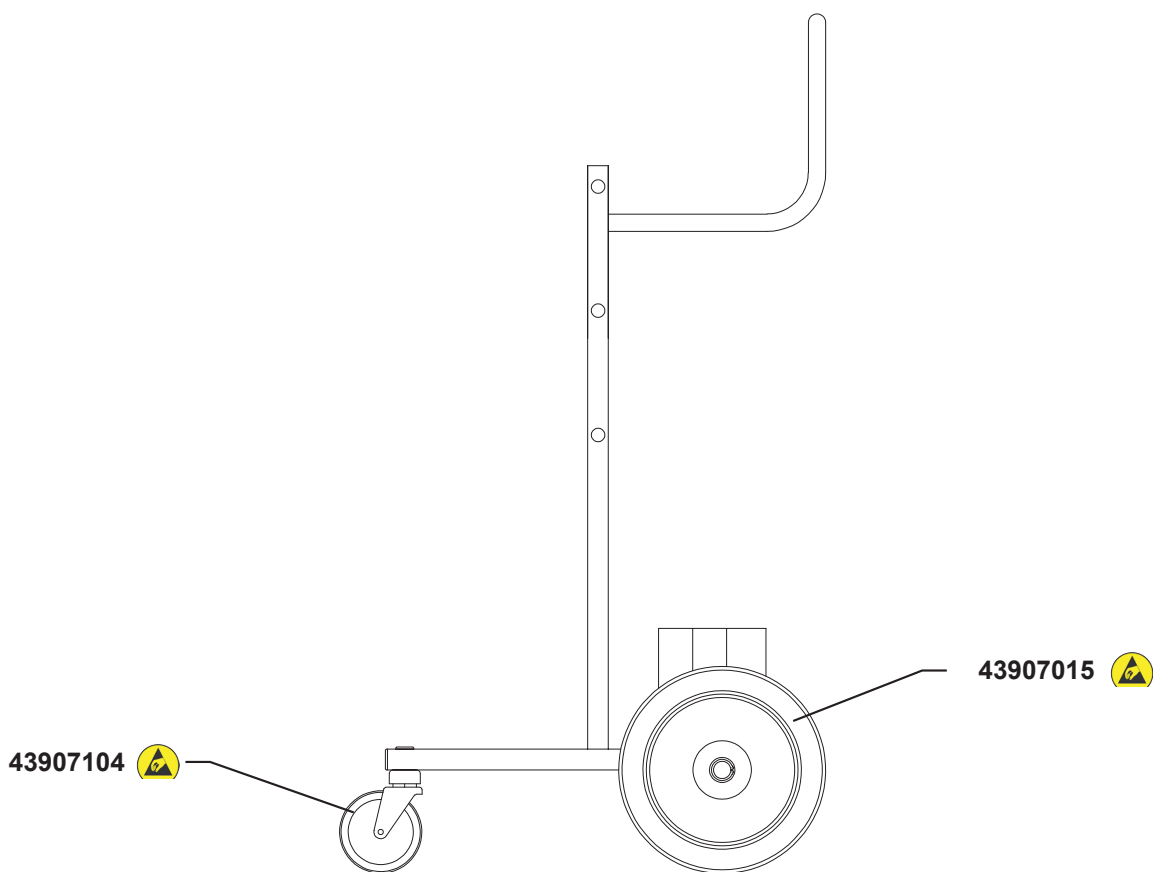
43024024



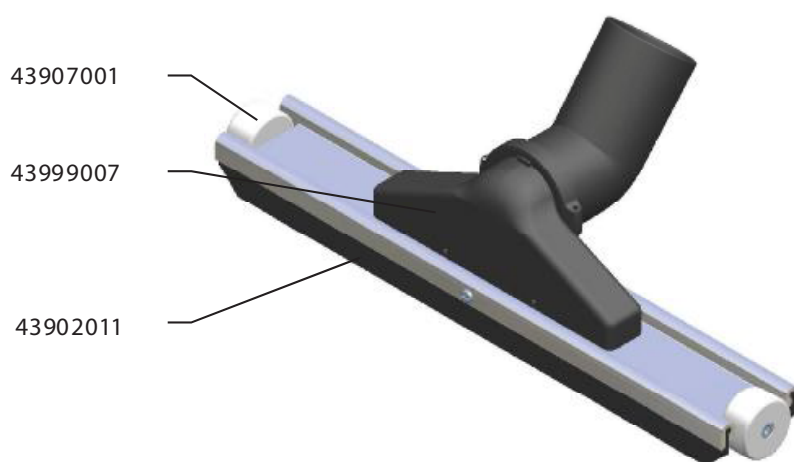
43332001



43424001



43723007



43840150

Nederman

www.nederman.com